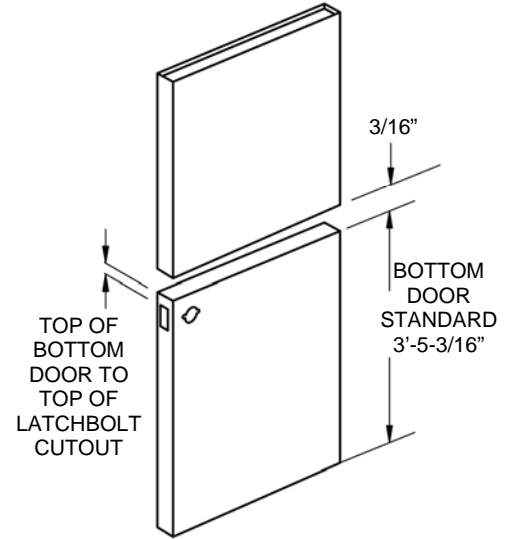


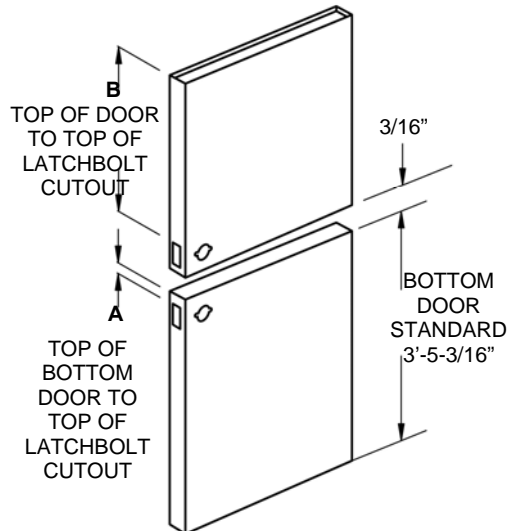
## CYL. LOCK LOCATIONS-DUTCH DOORS

### GOVT. 161 LOCK LOCATIONS TO LATCH BOLT CUTOUT

DOOR OPENING HEIGHT	DUTCH CYLINDRICAL LOCK GOV'T 161 ANSI A115.2	DOOR OPENING HEIGHT	UL DUTCH CYLINDRICAL LOCK BOTH LEAVES GOV'T 161 ANSI A115.2	
	A*		A*	B
6'-0"	4-11/16* (All Sizes)	6'-0"	4-11/16* (All Sizes)	22-15/16"
6'-2"		24-15/16"		
6'-4"		26-15/16"		
6'-6"		28-15/16"		
6'-8"		30-15/16"		
6'-10"		32-15/16"		
7'-0"		34-15/16"		
7'-2"		36-15/16"		
7'-4"		38-15/16"		
7'-6"		40-15/16"		
7'-8"		42-15/16"		
7'-10"		44-15/16"		
8'-0"		46-15/16"		
8'-2"		48-15/16"		
8'-4"		50-15/16"		
8'-6"		52-15/16"		
8'-8"		54-15/16"		
8'-10"		56-15/16"		
9'-0"		58-15/16"		
9'-2"		60-15/16"		
9'-4"		62-15/16"		
9'-6"		64-15/16"		
9'-8"		66-15/16"		
9'-10"		68-15/16"		
10'-0"		70-15/16"		
10'-2"		72-15/16"		
10'-4"		74-15/16"		
10'-6"		76-15/16"		
10'-8"		78-15/16"		
10'-10"		80-15/16"		
11'-0"		82-15/16"		
11'-2"		84-15/16"		
11'-4"	86-15/16"			
11'-6"	88-15/16"			
11'-8"	90-15/16"			
11'-10"	92-15/16"			
12'-0"	94-15/16"			



\* BOTTOM DOOR LOCK LOCATION CONFORMS TO STANDARD DUTCH STRIKE LOCATION OF 36"  $\bar{C}$  FROM BOTTOM OF FRAME



STANDARD DUTCH LOCK LOCATION • CYLINDRICAL LOCK – GOV'T 161