

**Installation
Troubleshooting Guide
for
Standard
Steel Doors and Frames**



Standards As Tough As Steel.™

© 2016 Steel Door Institute

STEEL DOOR INSTITUTE

30200 DETROIT ROAD · CLEVELAND, OHIO 44145

This page left intentionally blank.

CONTENTS

Improper Door / Frame Clearance 1

Hinge Bind Against Rabbet 6

Hinge Bind Against Stops 7

Twisted Door 8

Twisted Door Adjustments 9

Twisted Frame 11

Frame Set out of Square 12

Frame with Rabbits Toed In or Out 16

Silencers 18

Lock Fits Loose on Strike 19

Lock Fits Too Tight in Strike 20

Lockset Off Location on Door or Strike Off Location in Frame in Wall 21

Miter Not Closed on Frame 22

Clearance at Bottom of Door Too Small 23

Frame and Door Hinge Misalignment 24

Frame Loose on Drywall 26

Glazed Window Units 30

Label Missing from Fire-Rated Frame 31

Label Missing from Fire-Rated Door 32

Paint Problems 33

Water Stain Damage 34

Thermal Bow 35

FOREWORD

The material contained in this document has been developed under the auspices of the Technical Committee of the Steel Door Institute.

The Steel Door Institute does not condone or encourage repair methods which would adversely affect product performance or violate and/or void product warranties.

The user of this document assumes all responsibility associated with but not limited to product performance and violation of product warranties for any product associated with the installation and suggested repair methods in this document.

PURPOSE

The intent of this document is to cover field installation problems most commonly experienced with standard steel door and frame installations. It should be understood that most problems encountered are because of inappropriate application of the products and/or improper installation.

The suggested method of repairs requires only basic hand tools and relatively little time. It should be understood that more complex problems or compound problems could exist which warrant extensive field repairs and modification to products. These types of field installation problems are not intended to be covered in this document and should not be made without first consulting the manufacturer.

Modifications made to fire-rated-labeled doors and frames shall be made in compliance with NFPA 80.

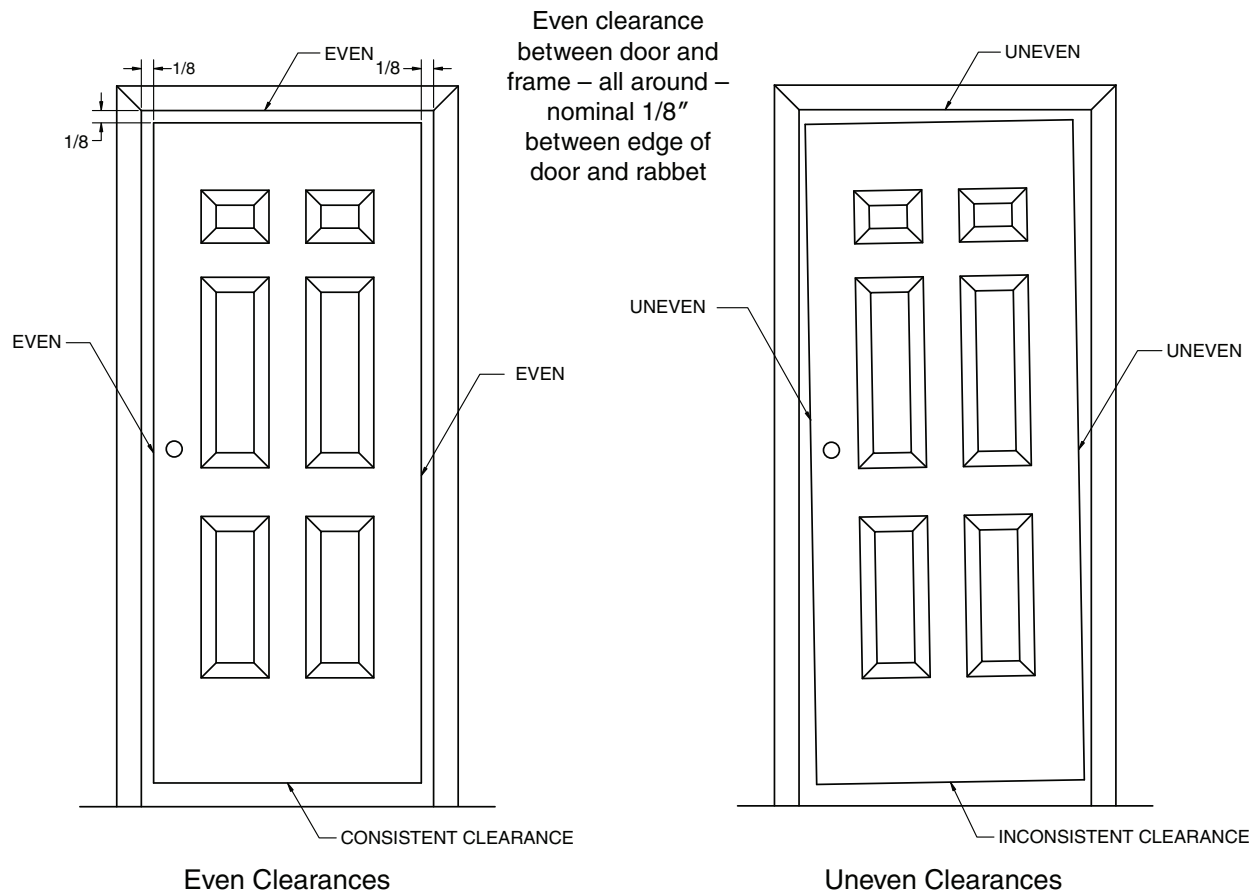
SDI-122 Installation Troubleshooting Guide for Standard Steel Doors and Frames

IMPROPER DOOR / FRAME CLEARANCE

To ensure proper door and frame function, the clearance between the door and frame must be properly maintained. All standard steel door and frame manufacturers closely hold tolerances that result in a nominal clearance between the door and frame of 1/8 inch. If this clearance is not maintained, interference and hardware misalignment may occur.

Proper installation is extremely important in establishing clearances and preventing a multitude of potential problems.

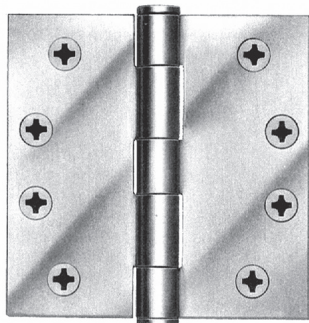
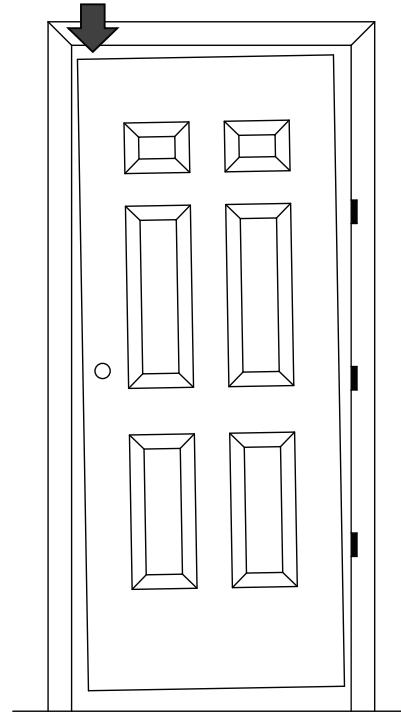
The Steel Door Institute has many publications which were developed to establish industry standards and assist in specifying as well as installing standard steel doors and frames. One publication, ANSI/SDI 250.11, *Recommended Erection Instructions for Steel Frames*, will be of assistance regarding the erection and installation of standard steel frames.



IMPROPER DOOR / FRAME CLEARANCE *(continued)*

Is door sagging?

Uneven clearances frequently result from improper installation of frames and frame anchors. The condition, characterized by lock edge clearances narrow at the top and wide at the bottom, is called "door sag". The following suggested adjustments may correct the condition



Are hinges loose?

If hinge screw does not remain tight, the screw can be held in place by the use of a "locktite" type product which prevents the screw from loosening. Additionally, "Nyloc" type fasteners can be used to replace the normal machine screws.

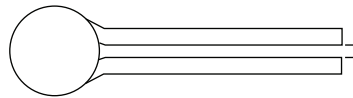
Are hinges worn?

If excessive wear has occurred on hinge knuckles, the door will not be held tightly. Replace hinges.

Are hinges properly swaged?

The hinge manufacturer's specifications should be checked to determine what the proper hinge swage should be.

Swaging is a slight offset of the hinge leaf at the barrel which permits the leaves to come together.

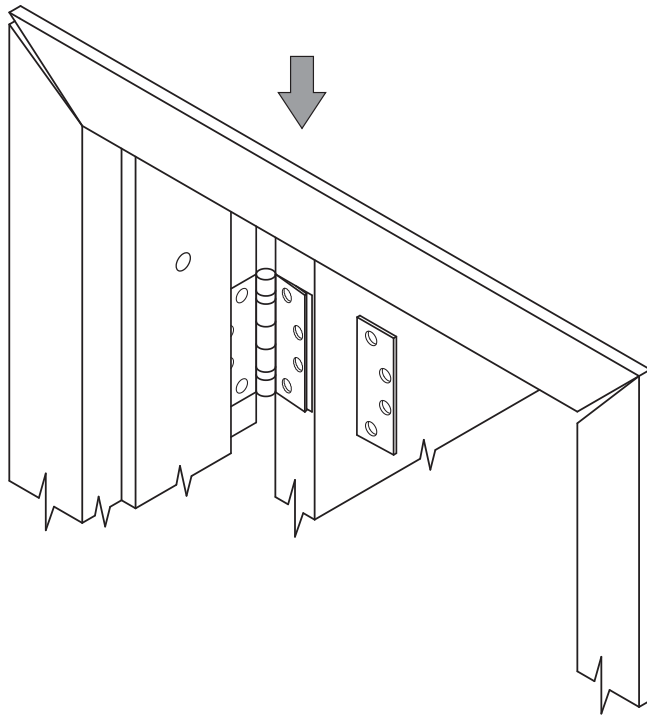
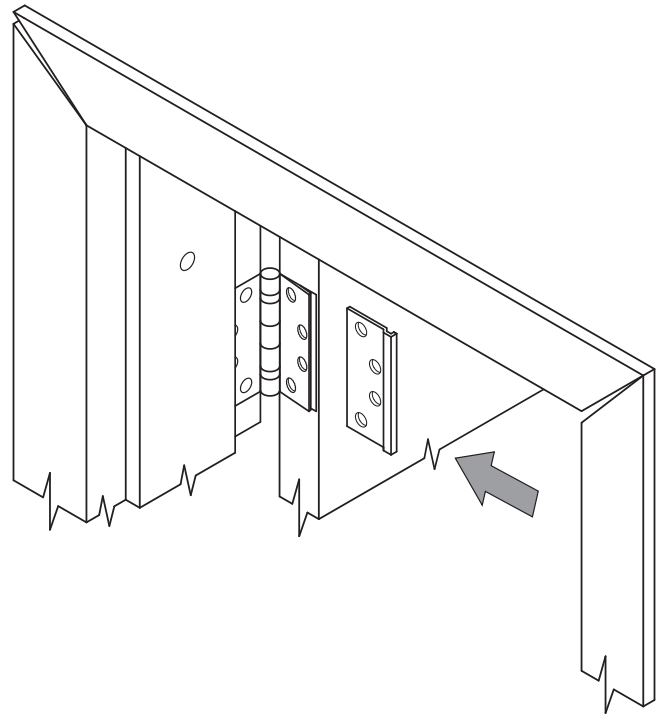


Standard swaging of standard-weight and heavy-weight full mortise hinges, when closed to the parallel position, provides a $\frac{1}{16}$ " clearance between leaves.

IMPROPER DOOR / FRAME CLEARANCE *(continued)*

Remove top hinge filler for non-handed doors

The improper clearance condition may be improved by removing the top hinge leaf attached to the door and taking out the filler (hinge filler) from behind the leaf. Once completed, reattach hinge leaf to door. A hinge filler is used on all non-handed doors.



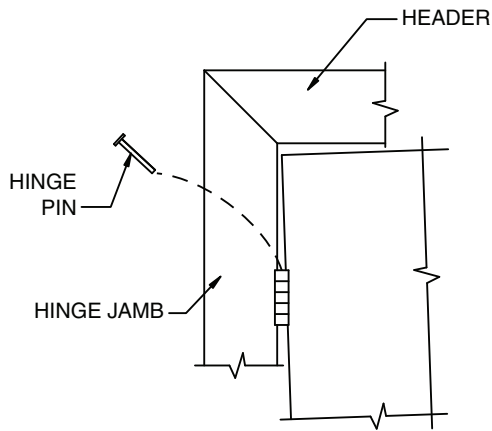
Add shims to bottom and/or middle hinge

On handed or non-handed doors, the lower half of the door can be shifted upward and toward the strike jamb. Remove the screws which attach the middle and/or bottom hinge(s) to the door. Insert shims between the hinge leaf and door. Reattach hinge leaf to door.

Standard-weight to heavy-weight hinge modifications

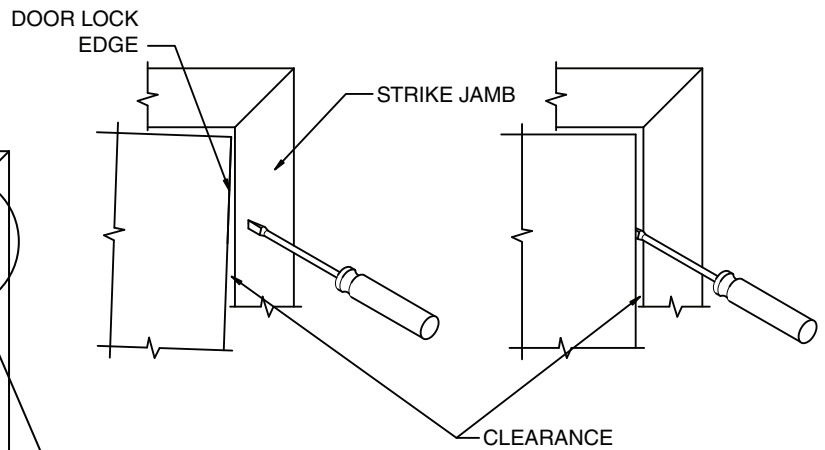
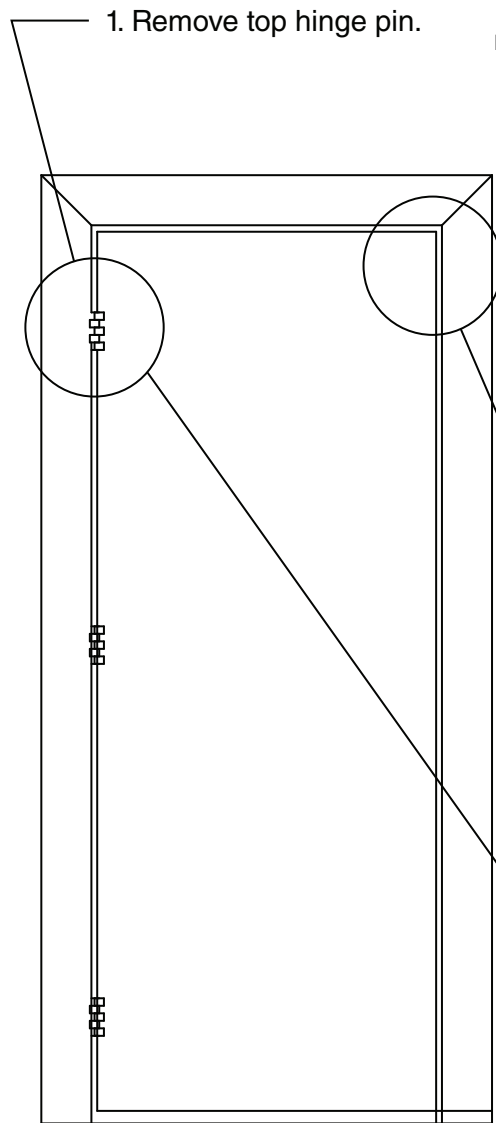
Although styles and types vary, many manufacturers offer built-in features that allow hinge pockets on doors and frames to be modified from standard-weight to heavy-weight. Examples of the different methods are: grinding or flattening down raised embossments in shim plates or reinforcements; removing or breaking off hinge filler shim plates; adjusting set screws; and removing wire shims. These options all involve removing material from the pocket to allow for heavy-weight depth to be achieved. As always, check with individual manufacturers to determine the type of modifications offered.

IMPROPER DOOR / FRAME CLEARANCE *(continued)*

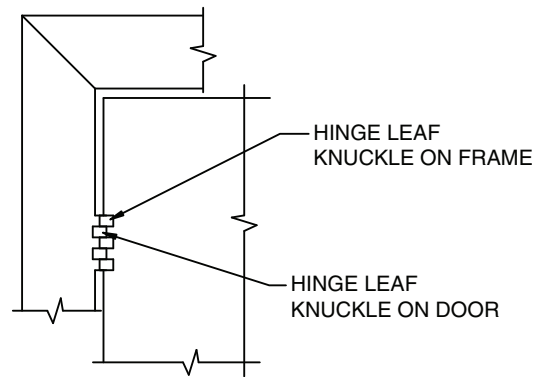


Reswaging hinges

The following example shows how a hinge leaf can be reswaged to correct minor improper door/frame clearances. This particular method allows the reswaging to be accomplished while the door remains in the opening and the hinge leaves remain on the door and frame. The example shows a top hinge reswaged to correct a sag-type condition. However, any of the hinges can be reswaged in this manner to compensate for conditions opposite to that of a sag condition.



2. Use a screwdriver to set the clearance between the lock edge of the door and strike jamb.

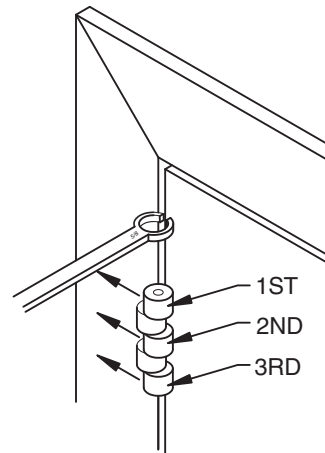


3. Hinge knuckle will now be misaligned.

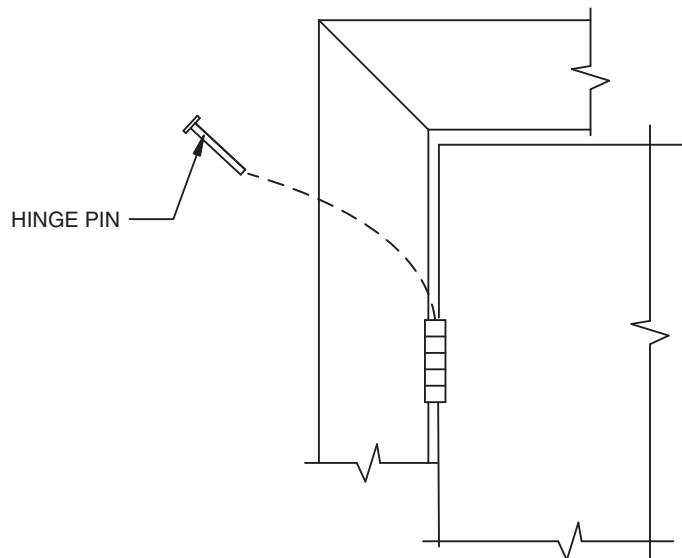
IMPROPER DOOR / FRAME CLEARANCE *(continued)*

Reswaging hinges *(continued)*

As shown, the hinge leaf knuckles on the door move to a new location once the clearance at the strike jamb is set. The hinge leaf knuckles on the frame must now be reswaged (bent) to align with the new location of the hinge leaf knuckles on the door. The simplest way to do this is to use a $\frac{5}{8}$ " – $1\frac{1}{16}$ " tube wrench (a crescent wrench will do as a second choice). Simply slip the tube wrench down around the 1st knuckle and align it with the new location. Once the first knuckle has been aligned, the wrench will now slip down to the 2nd knuckle for alignment. Repeat the process on the third knuckle.



4. Reswage and align hinge knuckles.



5. Re-insert the hinge pin and remove the screwdriver.

NOTE: As always, caution should be exercised when the hinge leaves are not removed. **Excessive** pressure could damage doors/frames. As an alternate reswaging method, the hinge can be removed and clamped in a vise for reswaging.

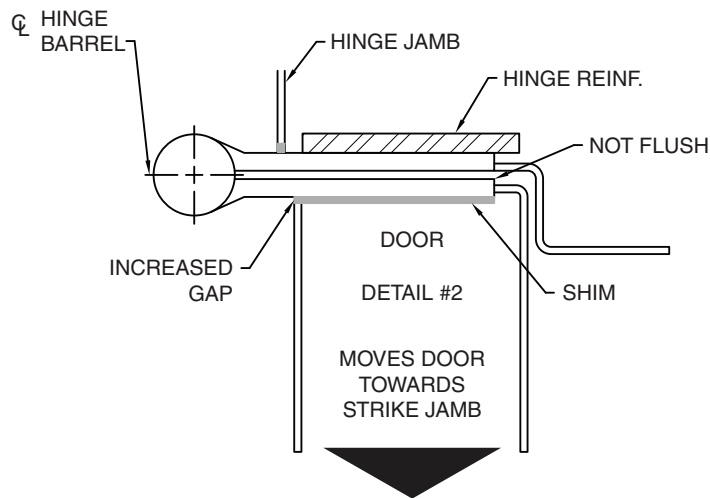
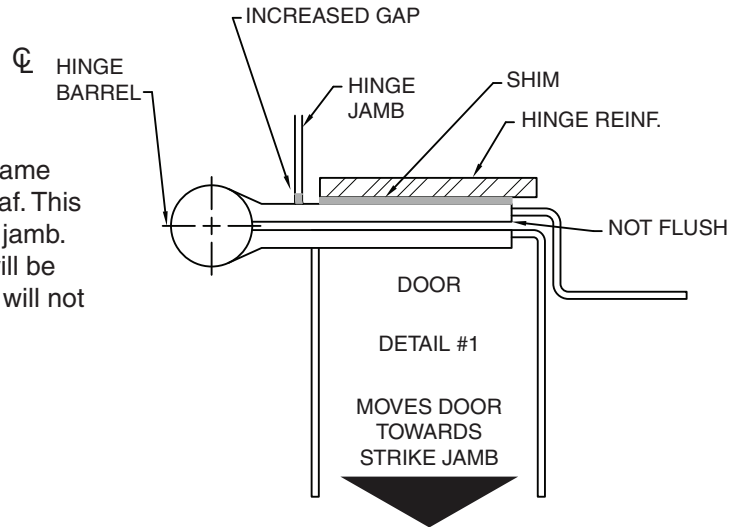
Is the door binding?

Frames which are out of plumb will likely cause improper operation of locksets and binding of bolts in the strike. Check carefully the installation of the frame prior to making hardware adjustments.

HINGE BIND AGAINST RABBET

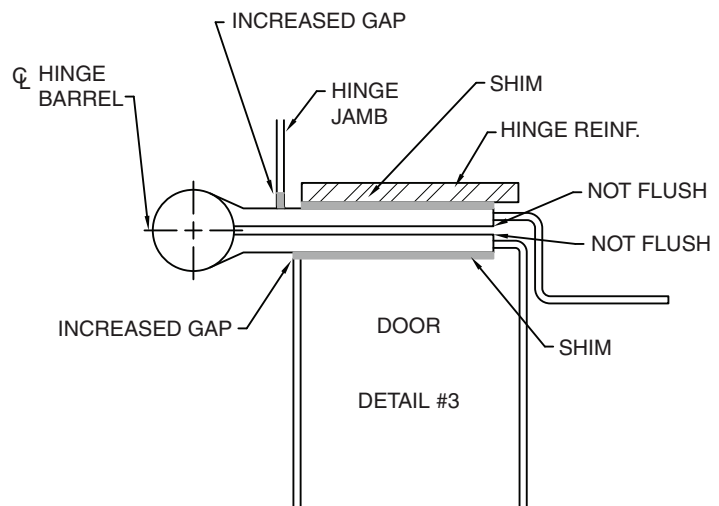
Normally, hinge bind is found between the door and rabbet. There are several ways of shimming which will move the door in different directions. The following guidelines should be used in shim applications.

1. A shim can be placed between the frame hinge reinforcement and the hinge leaf. This will move the door towards the strike jamb. However, the hinge notch face gap will be increased and the hinge leaf surface will not be flush with the rabbet surface.



2. A shim can be placed between the door and the hinge leaf. This will also move the door towards the strike jamb. However, an increased gap will be created by the shim and the hinge leaf surface will not be flush with the backset surface on the door.

3. To minimize the gaps and the allow the hinge leaf surfaces to remain flush with the rabbet and backset surfaces, two shims, each half the thickness of those used above, could be used.

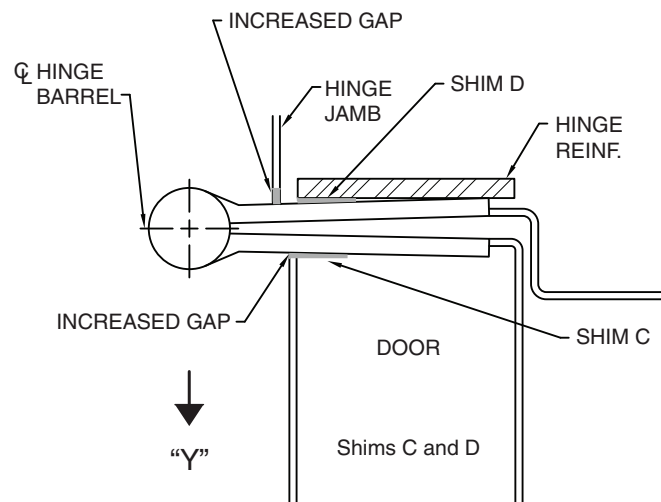
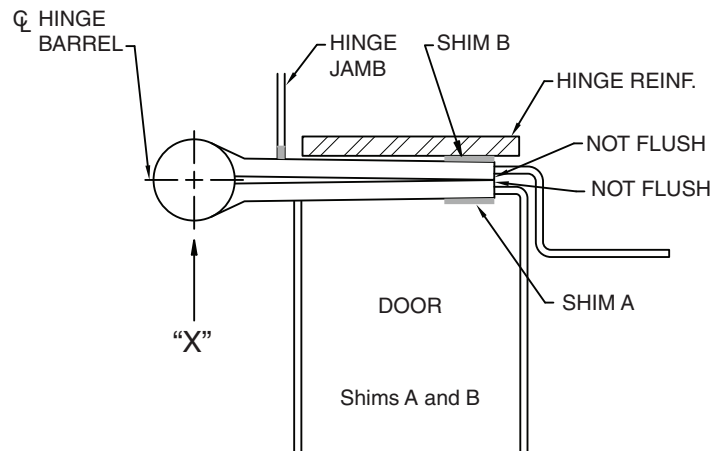


HINGE BIND AGAINST STOPS

Hinge bind against the frame stops is possible field condition. There are several ways of shimming which will move the door in the desired direction. The following guideline should be used in shim application.

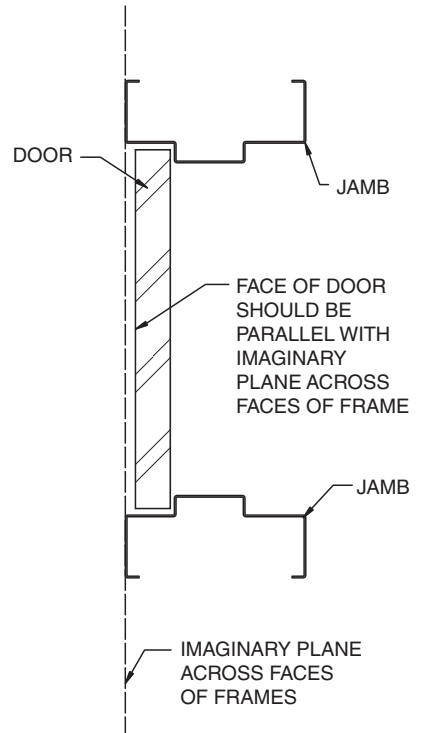
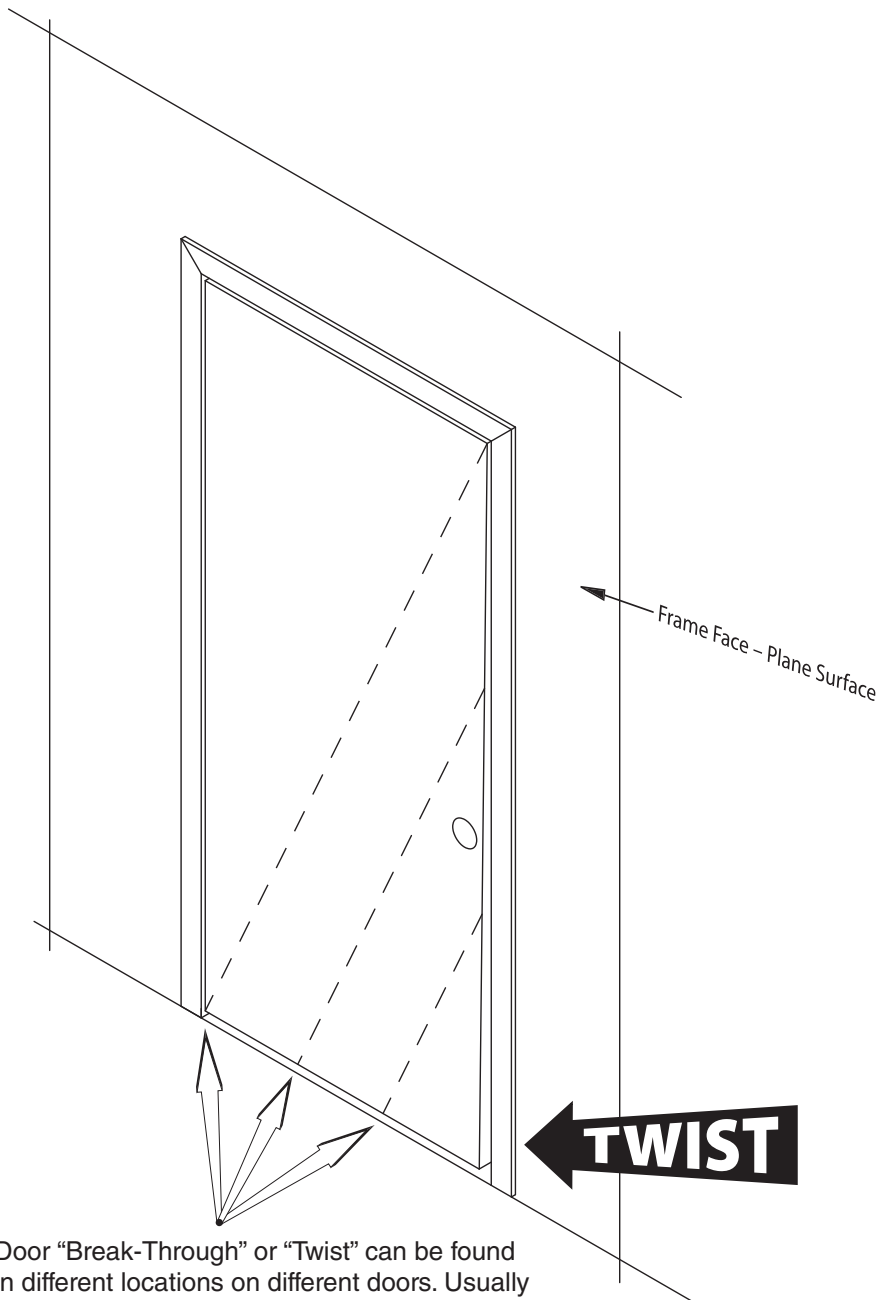
Adjustment of Clearance Between the Door and the Frame May be Accomplished by the Following:

1. Using Shim "A" only, door will be relocated in direction of Arrow "X".
2. Using Shim "B" only, will move both door and centerline of hinge barrel in direction of Arrow "X".
3. Using both Shims "A" and "B" will relocate the door in direction of Arrow "X" by a greater amount than by using Shim "B" alone.
4. Using Shim "C" only, door will be relocated in direction of Arrow "Y".
5. Using Shim "D" only, both door and centerline of hinge barrel will move in direction of Arrow "Y".
6. Using both Shims "C" and "D" will relocate the door in direction of Arrow "Y" by a greater amount than by using either "C" or "D" alone. The centerline of hinge barrel will be relocated the same as by using Shim "D" alone.



TWISTED DOOR

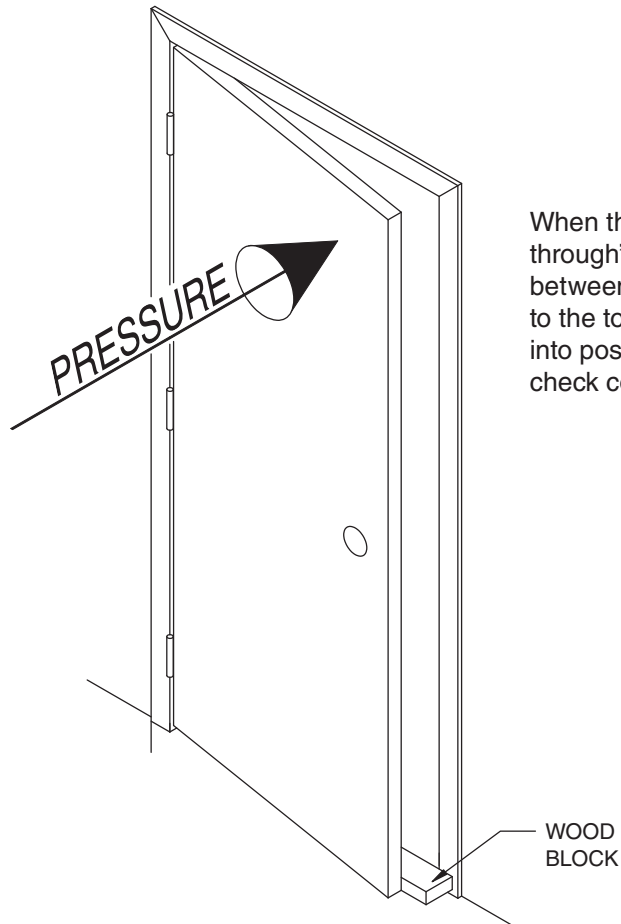
Normal installation results in the plane of the door face being parallel with the plane of the frame face. If the frame is square and plumb, all face surfaces of the frame will be in the same plane. A twisted door will “break through” the frame’s face plane surface. **BE SURE** the frame is square and plumb. If it is not, the problem is probably with the frame installation and **NOT** the door.



Door “Break-Through” or “Twist” can be found in different locations on different doors. Usually it is found diagonally between opposite lower and upper corners.

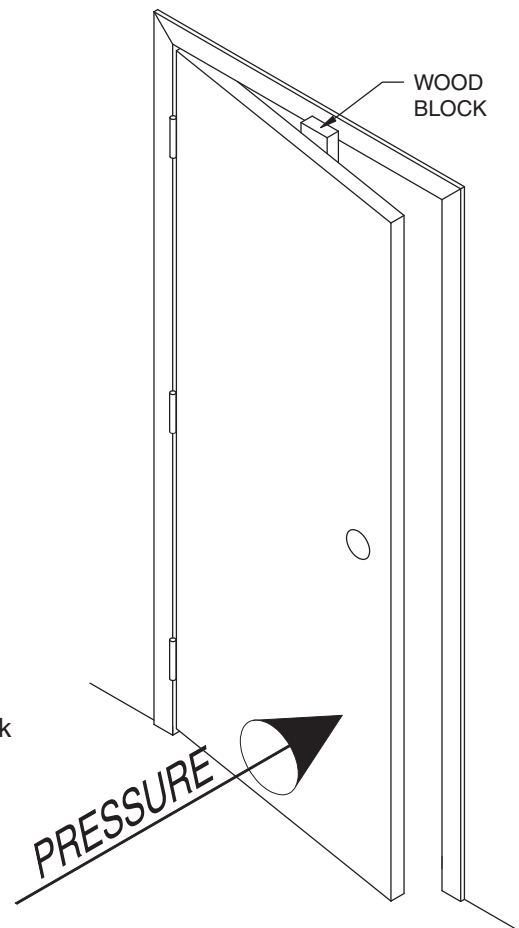
TWISTED DOOR ADJUSTMENTS

When required, it is possible to “spring” the door back to (or much closer to) its ideal position of being parallel with the plane across the faces of the frame. This can usually be done with the door remaining in the frame. A piece of wood blocking must be placed between the door and frame. Pressure is then applied at the twisted area to “spring” the door. However, caution should be exercised on drywall installations since the frame could possibly work loose from the wall, particularly with slip-on drywall type frames.



Twisted at Top

When the top lock area of a door is “breaking-through” the plane, place a wood block on floor, between door and frame as shown. Apply pressure to the top lock area as shown to “spring” door back into position. Remove wood block, close door and check condition. Repeat if necessary.

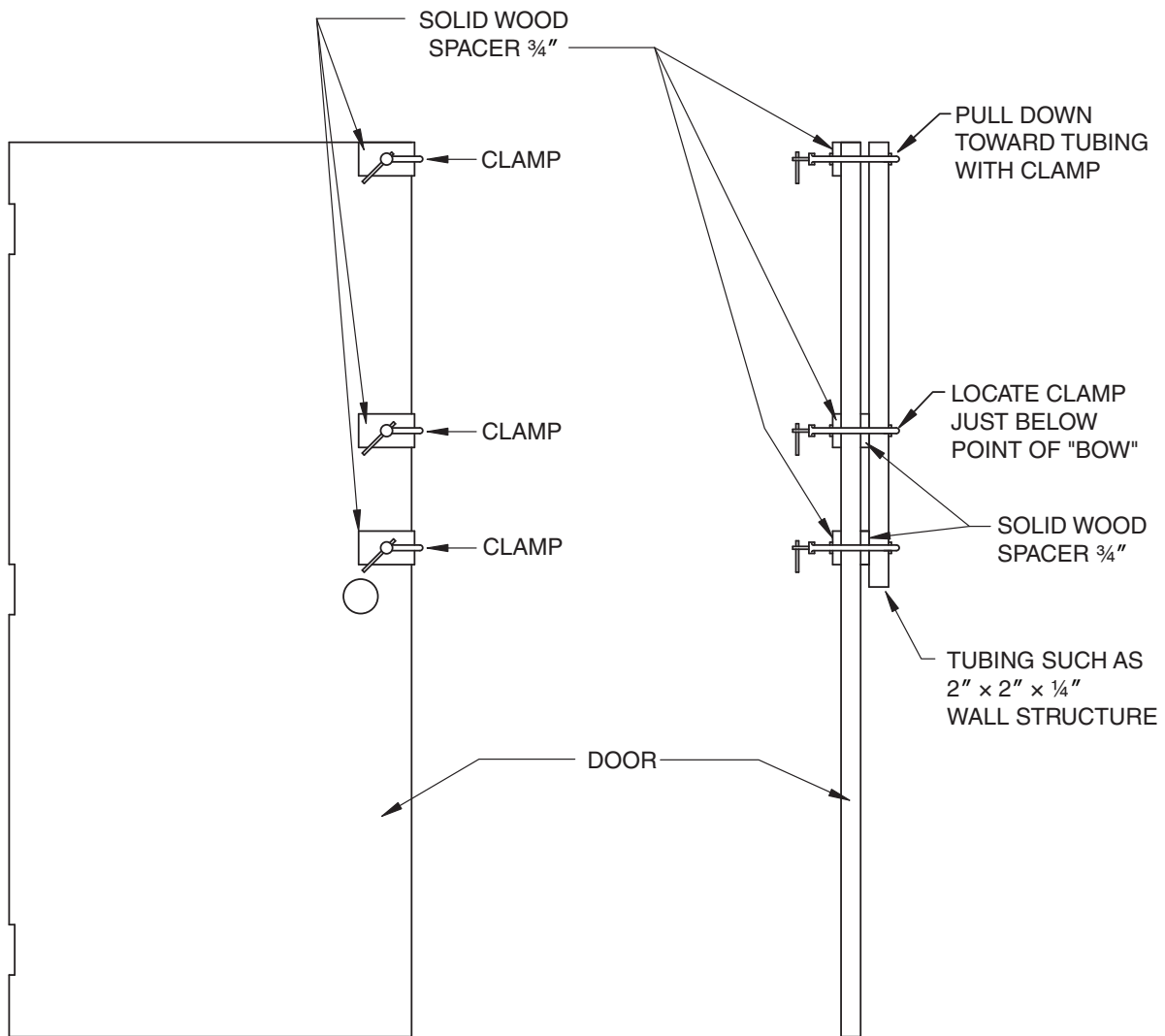


Twisted at Bottom

When the bottom lock area of door is “breaking-through” the plane, place a wood block between frame head and door as shown. Apply pressure to the bottom lock area as shown to “spring” door back into position. Remove wood, close door and check condition. Repeat if necessary.

TWISTED DOOR ADJUSTMENTS *(continued)*

An alternate method can also be used which will allow the door to remain in the opening. This method might be appropriate in drywall installations as previously mentioned. Although the example shown deflects the top half of the door, this method could be used on the bottom half of the door as well.

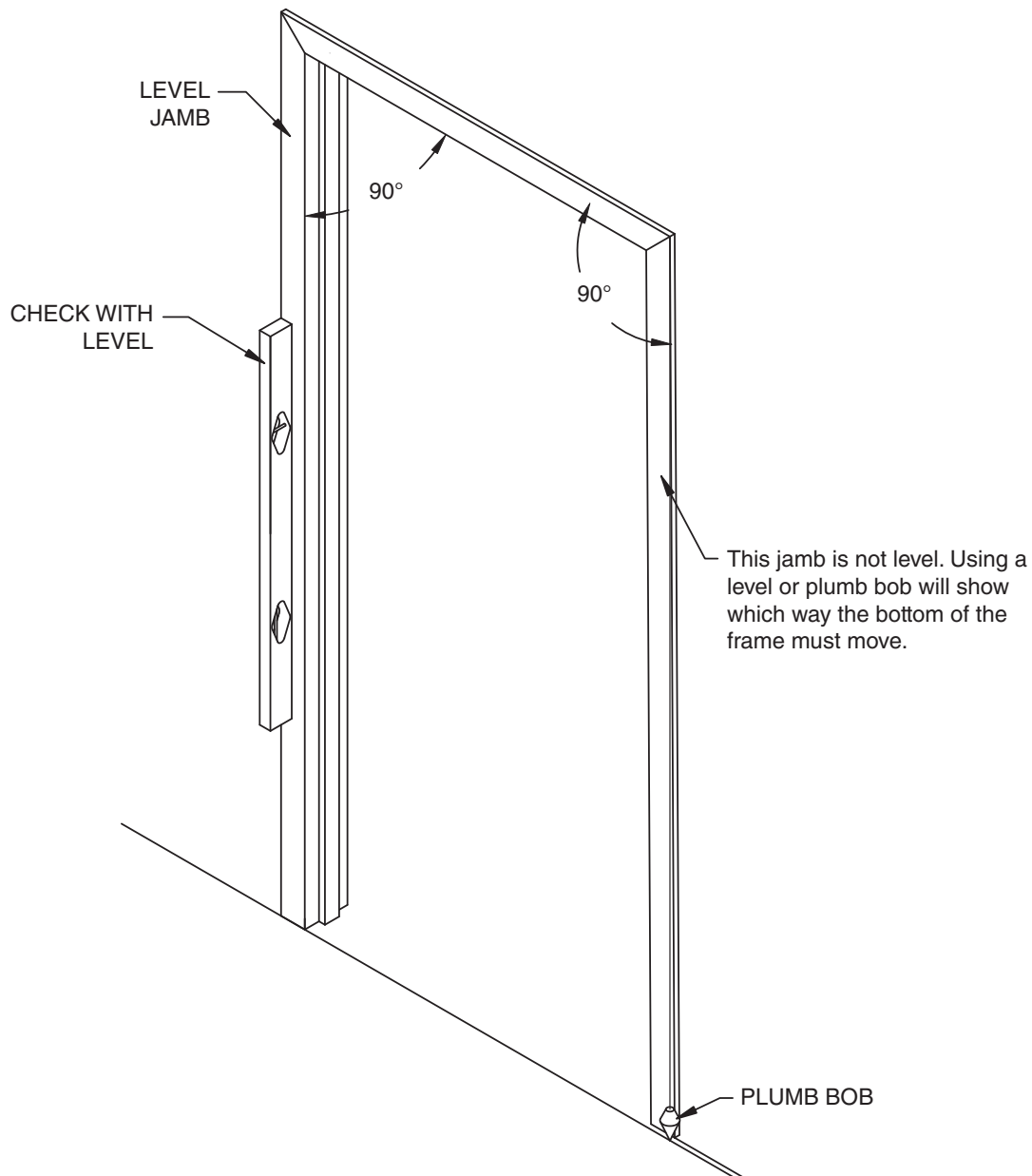


TWISTED FRAME

Wall conditions and anchoring methods can cause the frame to be “twisted” in the opening. The two jamb (hinge and strike) faces are not in the same plane as discussed in the twisted door section. This can be checked by using a level and/or plumb bob. Frames do not have adjustments when it comes to “twist”.

The “twist” condition is generally caused by the wall conditions. The frame jamb faces are prevented from being set in the same plane because the walls are out of plane to begin with.

The options available to correct this problem depend, to a large extent, on the wall construction.

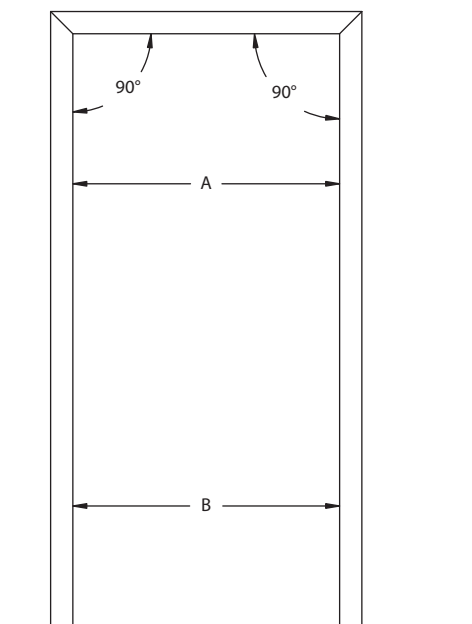


FRAME SET OUT OF SQUARE

Proper frame installation cannot be overemphasized. In the majority of wall constructions, (“slip-on” drywall type frames being the major exception) “quick” or “easy” field fixes are limited. Improperly set frames that are drastically out of square will cause severe door and hardware problems. These types of situations would require extensive field repair and may result in having to remove frames from walls.

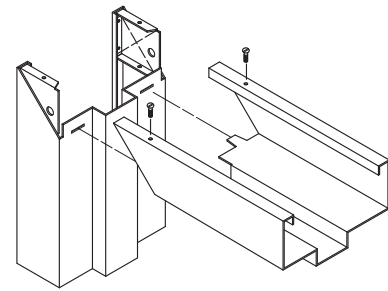
If the “out of square” condition is slight, some adjustment can be made by shimming and/or adjusting anchors, particularly if the frame being worked on is a slip-on drywall type.

The most versatile frame to work with in correcting these types of conditions is the “slip-on” drywall frame. The manufacturers’ instructions should be referenced, but generally most “slip-on” drywall frames have a sill anchor at the bottom of the jamb and a compression anchor between the top hinge and the header. Also, most jambs have corner clips that have a hole to accept a screw. The corner clip and hole align with a hole in the header. The adjustment of slip-on drywall frames can be made using these anchors or corner clips.

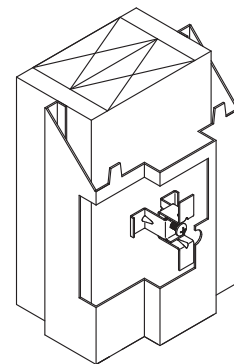


PROPERLY SET FRAME

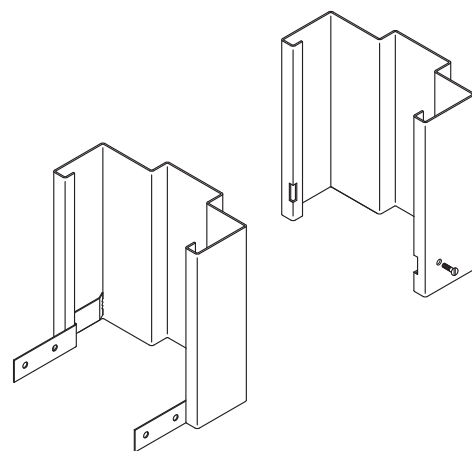
All corners are 90°. The dimension taken at Point “A” is equal to the dimension checked at Point “B.” Both hinge and strike jambs are plumb and level.



**Corner Clip
Header to jamb connection**



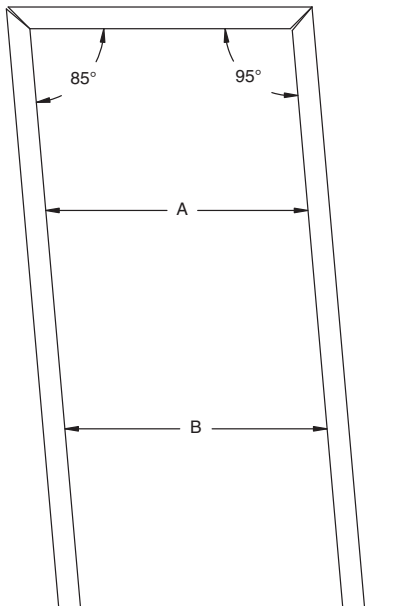
**Compression Anchor
(Cut-away view)**



**Sill Anchors
Snap-in type or screw type**

FRAME SET OUT OF SQUARE (continued)

The following examples illustrate how a frame can be set out of square.



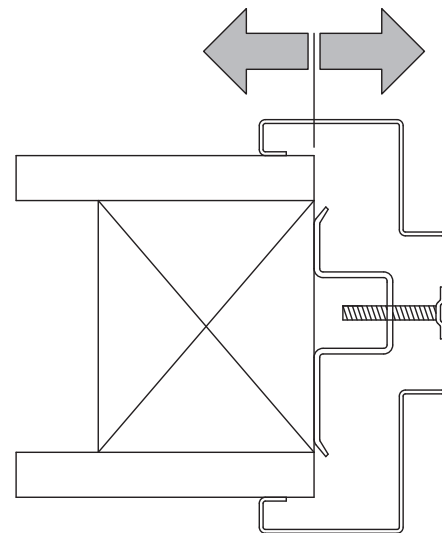
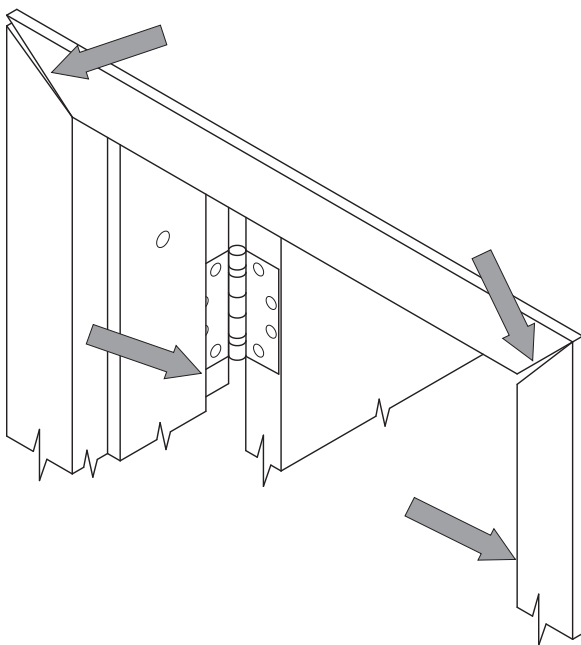
IMPROPERLY SET FRAME (A)

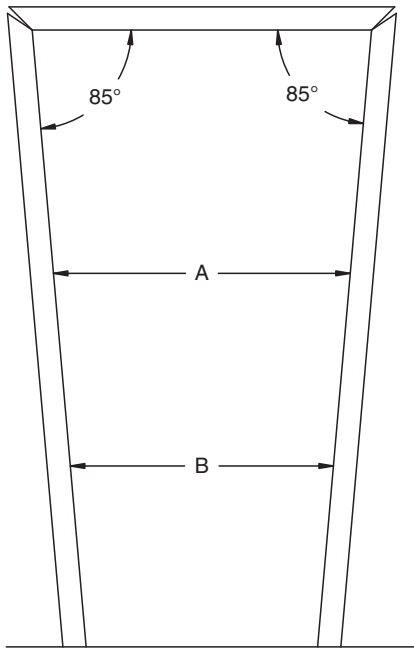
One corner is greater than 90° and one corner is less than 90° . The miters do not properly align with one another and “gaps” are created in the miters which are opposites of one another. The dimension taken at point “A” would remain the same when checked at point “B” if the 90° corners are out of square an equal number of degrees.

This condition can be corrected by adjusting the compression anchors in and/or out of each jamb as required. Loosen the corner clip screws if the frame is so equipped before making adjustments; retighten when finished. The compression anchors must be adjusted (turned) in opposite directions to allow the jambs to move.

For the illustration shown, the strike jamb compression anchor screw must be turned counterclockwise to retract the compression anchor and give room for the frame to be adjusted back into position using the hinge jamb compression anchor. The hinge jamb compression anchor screw is then turned clockwise to advance the anchor and push the frame towards the room made at the

strike jamb. The frame should be brought into square with the header and the hinge jamb compression anchor. Once this is done, the strike jamb compression anchor screw can be turned clockwise, advancing the anchor snug against the stud. The corner slip screws should then be retightened.



FRAME SET OUT OF SQUARE *(continued)***Jambs Toed In at Sill**

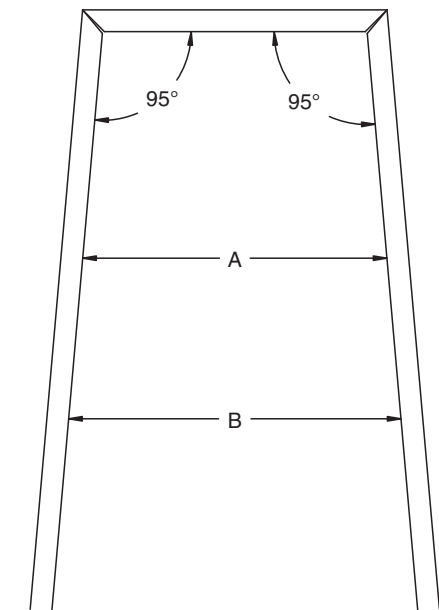
To correct this condition, the sill anchors must be loosened to allow the bottom of each jamb to be moved in and/or out. In the case of the snap-in type sill anchor, the baseboard trim might have to be removed to gain access to the anchors. This type of anchor is generally used because it can be hidden by covering it with the baseboard trim.

If the jambs are toed in at the sills, the compression anchors might have to be retracted slightly so the sill (base) of the jambs can be pushed out. The jambs should be plumbed, squared with the header and leveled as they are pushed out into their proper position. The sill anchors should be reset, the compression anchors adjusted and retightened. The baseboard trim should be reattached to the wall if it had been removed.

A similar procedure should be used if the jambs are toed out at the sills. The sill (base) of the jambs should be pushed in towards the opening. The jambs should be plumbed, squared with the header and leveled as they are pushed into their proper position. The sill anchors should be reset, the compression anchors adjusted (extended) and retightened. The baseboard trim should be reattached to the wall if it had been removed.

IMPROPERLY SET FRAME (B)

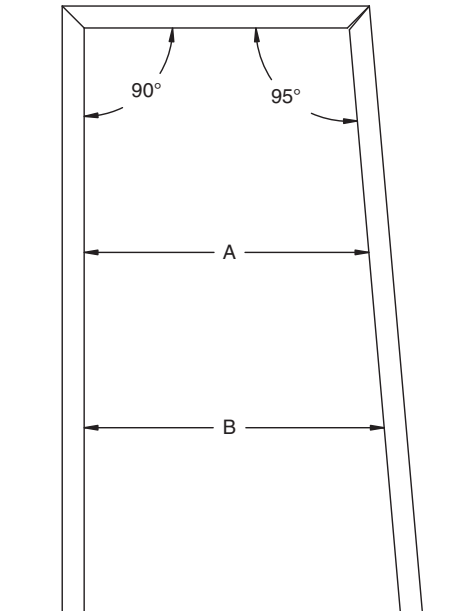
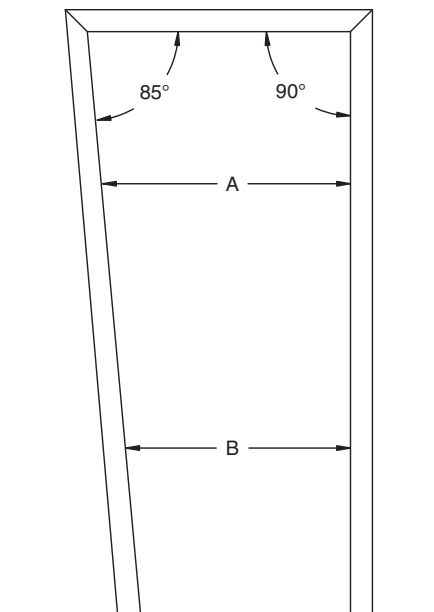
The corners are both greater than or less than 90° . The miters do not properly align with one another. When the corner is less than 90° the miter will have a gap which increases as it goes towards the return. When the corner is greater than 90° the miter will have a gap, which increases as it goes towards the rabbet. Dimensions taken at point "A" and "B" will not be equal. This condition will always result in dimension "B" being either greater than or less than the nominal opening dimension which would be obtained if checked between jambs along the header.

**Jambs Toed Out at Sill**

FRAME SET OUT OF SQUARE *(continued)***IMPROPERLY SET FRAME (C)**

One corner is properly set at 90° while the other corner is greater or less than 90°. The dimension taken at point "A" will constantly change when checked at various points going towards point "B." The corner miter will not properly align between the header and jamb which is not set at 90°

The jamb which is not 90° to the header must be moved. To correct this condition, the sill anchor must be loosened to allow the bottom of the jamb to be moved in or out as required. In the case of the snap-in type sill anchor, the baseboard trim may have to be removed to gain access to the anchor. This type of anchor is generally used because it can be hidden by covering it with the baseboard trim.

**One Jamb Toed Out****One Jamb Toed In**

If the jamb is toed in at the sill, the compression anchor may have to be retracted slightly so the sill (base) of the jamb can be pushed out. The jamb should be plumbed, squared with the header and leveled as it is being pushed out into its proper position. The sill anchor should be reset, the compression anchor adjusted and retightened. The baseboard trim should be reattached to the wall if it had been removed.

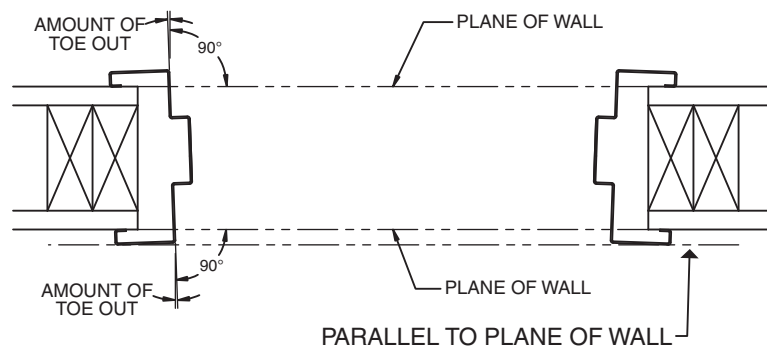
A similar procedure should be used when the jamb is toed out at the sill. The sill (base) of the jamb should be pushed in towards the opening. The jamb should be plumbed, squared with the header and leveled as it is pushed into its proper position. The sill anchor should be reset, the compression anchor adjusted (fastened) and retightened. The baseboard trim should be reattached to the wall if it had been removed.

FRAME WITH RABBETS TOED IN OR OUT

The importance of proper initial frame installation is evident in this condition. In the majority of wall constructions, except for the “slip-on” drywall type frames, “quick,” “easy” field fixes are limited. Improperly set frames which have the rabbets drastically toed in or out would require extensive field repair and in most cases require that the wall be entered to gain access to frame anchoring.

The toed in or out condition is worse near the floor. The header prevents the upper portion of the jambs from toeing in or out but as you move away from the header towards the floor, the jambs have greater potential to be toed in or out during installation.

The only frame with this condition which can be corrected with little difficulty is the “slip-on” drywall frame. Since the “slip-on” drywall frame uses only compression anchors near the head and sill anchors near the bottom of the jambs, this condition is easily corrected.



Note that the rabbet surfaces are not 90° to the plane of the wall. This can be checked by placing a straight edge across the face of both jambs.

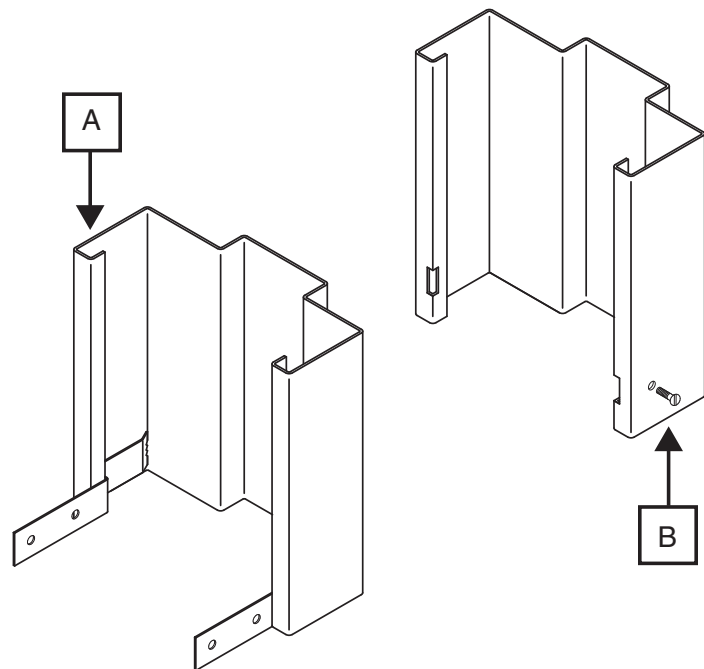
The straight edge should set flat across both faces at the same time. If the jambs are twisted, a “gap” will be created as shown in the figure to the left.

Typical toed-in or out condition

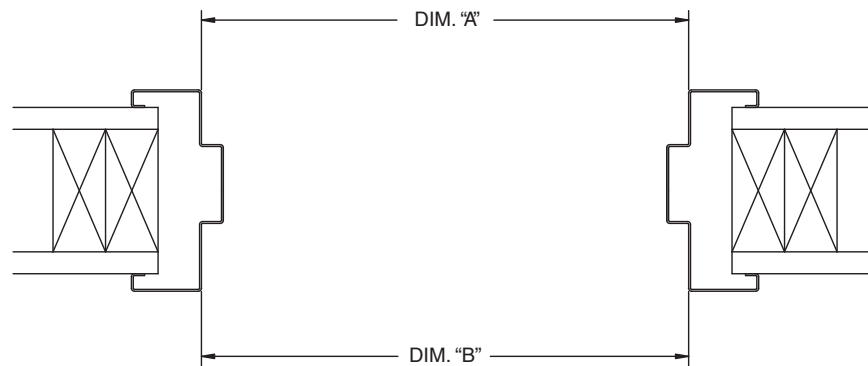
The figures to the right show the two typical types of sill anchors used on the “slip-on” drywall frame.

“A” shows an anchor which will be covered up by the baseboard trim. To gain access to this anchor the baseboard trim must first be removed. Next, the nails or screws holding the anchors to the wall must be removed. This will loosen the jamb and allow it to be squared in the opening.

“B” illustrates a screw going through the face of the frame into the wall. This holds the sill of the frame in position. This screw is exposed and is readily accessible. Removing the screw will loosen the jamb and allow it to be “squared-up” in the opening. If both jambs are toed in/out, they both should be “squared-up.” This can be checked by taking measurements as shown below. Both the “A” and “B” dimensions will be the same when the frames are properly set. However, the frame jambs must be plumb, level, and square with the head of the frame.



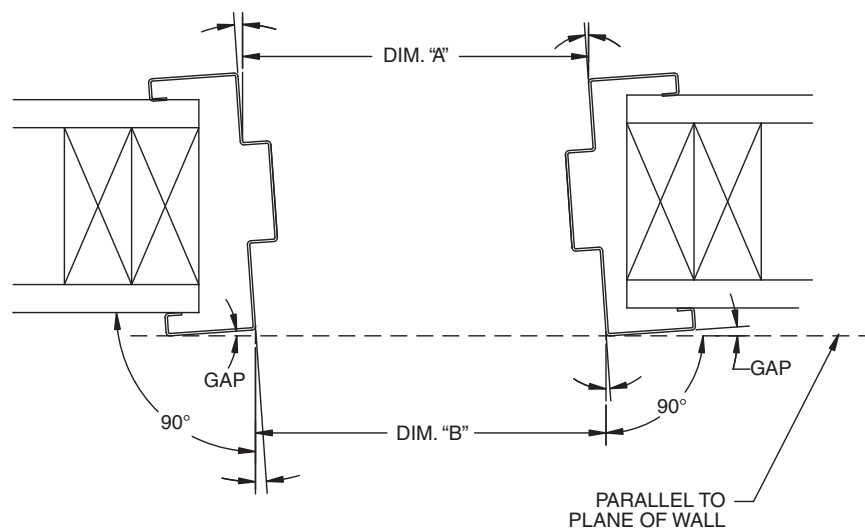
FRAME WITH RABBETS TOED IN OR OUT *(continued)*



If both jambs are toed in/out, they both should be “squared-up.” This can be checked by taking measurements as shown above. Both the “A” and “B” dimensions will be the same when the frames are properly set.

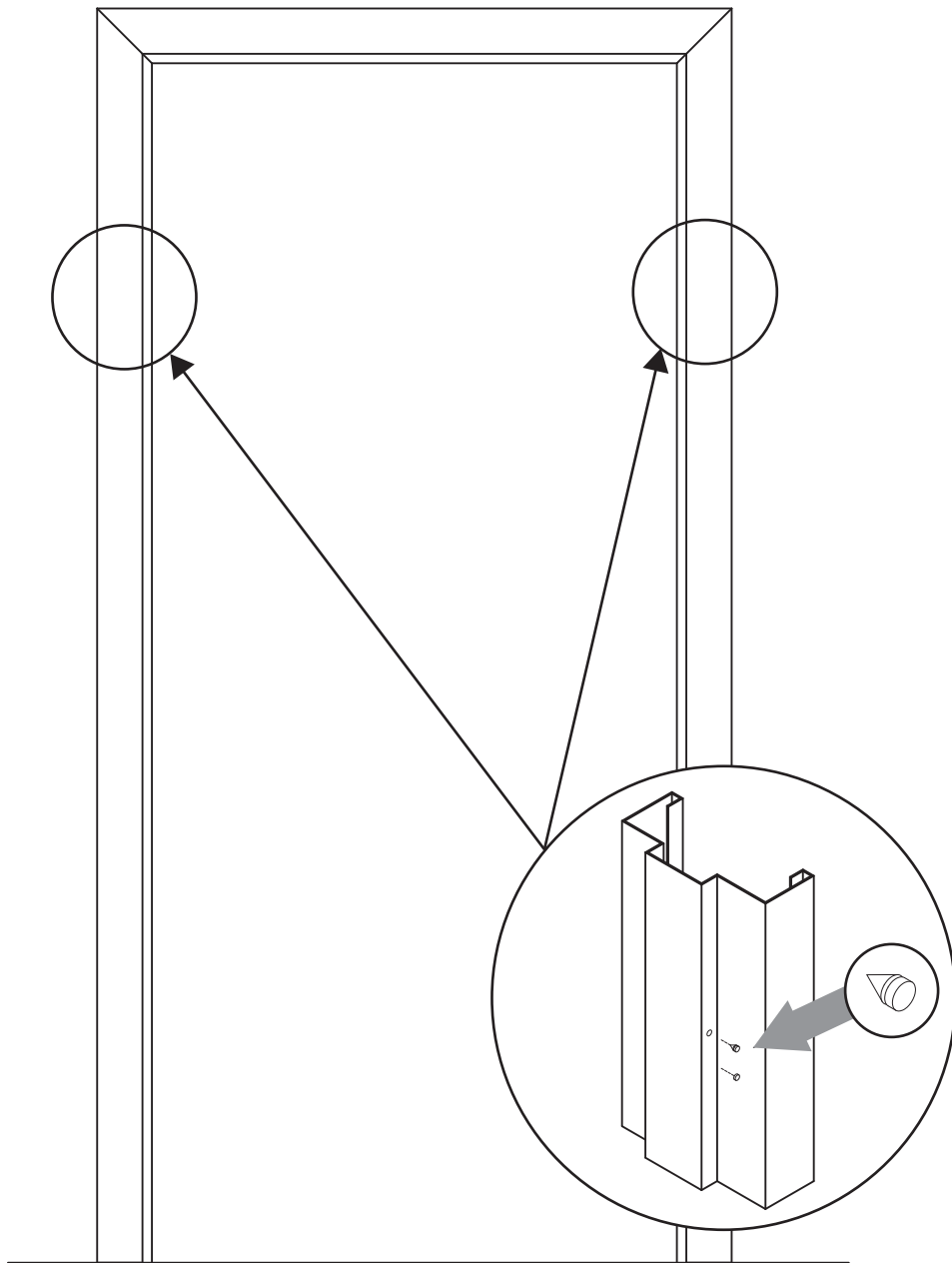
The below figure shows a condition which can give the impression that the frame is properly installed. Both dimensions “A” and “B” will be equal but the frame will not be square in the opening. Both jambs can be twisted to create a parallelogram. This can be checked by placing a straight edge across the face of both jambs (the straight edge is represented by the dotted line shown below). The straight edge should set flat across both faces at the same time. If the jambs are twisted, a “gap” will be created as shown in the illustration. The “gaps” will be to the same side if a parallelogram was created. The gaps could also be to opposite sides as shown in the Typical Toed In or Out Condition figure on the previous page.

This condition can be corrected as outlined for the other “toe out” or “toe in” examples.



SILENCERS

Some manufacturers provide a silencer hole in the frame stop to accept a push-in silencer. A “stick-on” silencer is also available for application to frames without the silencer hole. The silencer acts as a “rubber bumper” which evenly holds the door off the stop at a constant distance. If the door is held off of the stop rather than being allowed to move slightly towards the stop, the latch tube will fit tighter into the strike. Three silencers are placed on the strike jamb, one toward the top of the jamb (nearer the header) and one toward the bottom of the jamb (nearer the sill) and the third near the strike preparation.

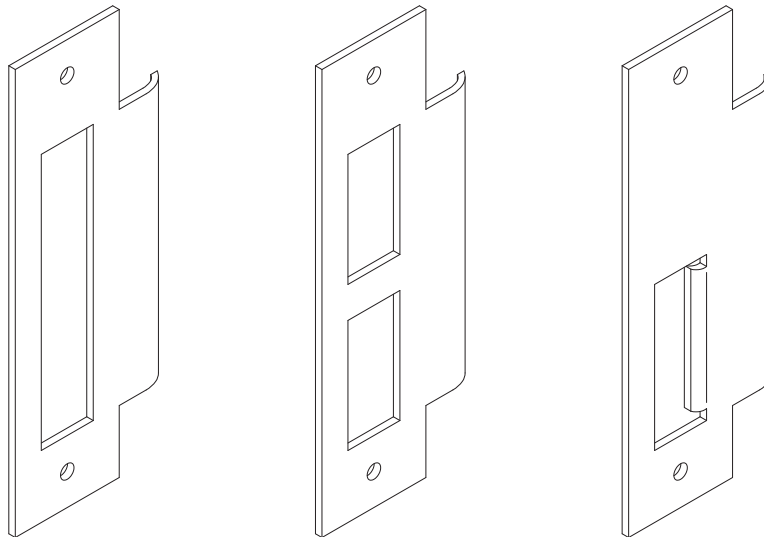


LOCK FITS LOOSE ON STRIKE

This condition cannot be caused by an improperly set door and/or frame. If the lockset on the door was not properly aligned with the strike on the frame, interference would occur or the latch bolt would bind in the strike. Since this is not the case; the cause is something other than improper installation. The following should be checked:

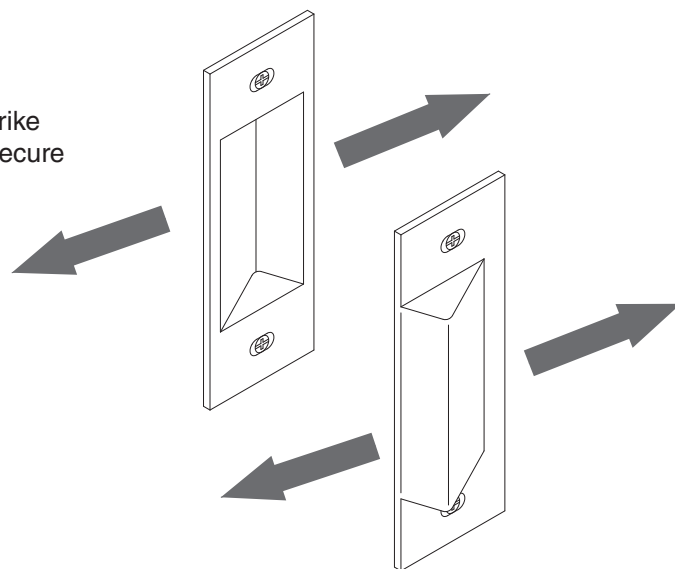
PROPER STRIKE

Is the proper strike plate attached to the frame?



RIM EXIT DEVICES

An adjustable strike plate is provided. Is the strike plate properly adjusted to provide positive and secure latching?



LOCK FITS TOO TIGHT IN STRIKE

Proper installation of the door and frame are essential. If the door and frame are not properly aligned, the latch bolt could bind in the strike. The following items should be checked:

IMPROPER CLEARANCE/DOOR SAG

For various conditions, refer to page 2.

HINGE BIND

For various conditions of hinge bind, refer to page 6.

TWISTED DOOR

For various conditions of twisted doors, refer to page 8.

TWISTED FRAMES

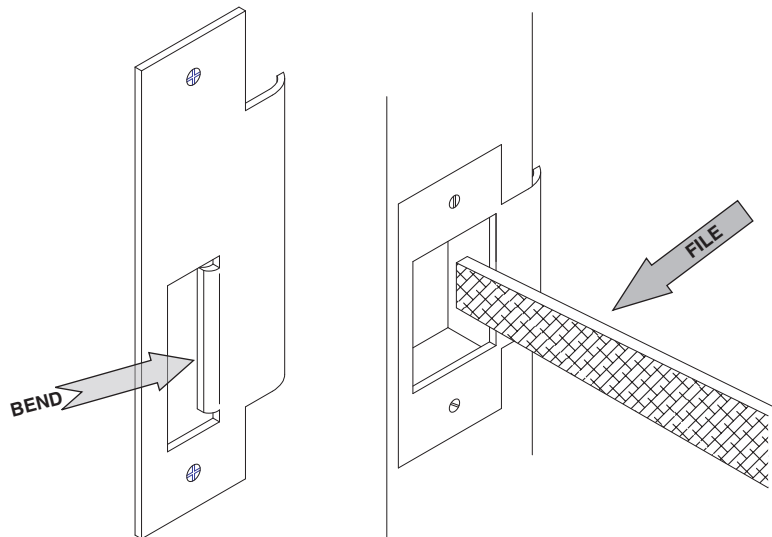
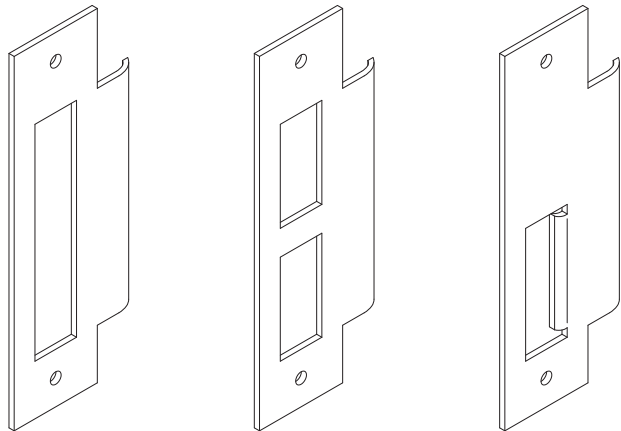
For various conditions of twisted frames, refer to page 11.

FRAME SET OUT OF SQUARE

For various conditions of frames set out of square, refer to page 12.

PROPER STRIKE

Is the proper strike plate attached to the frame?

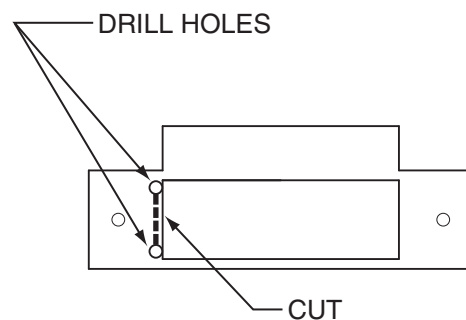
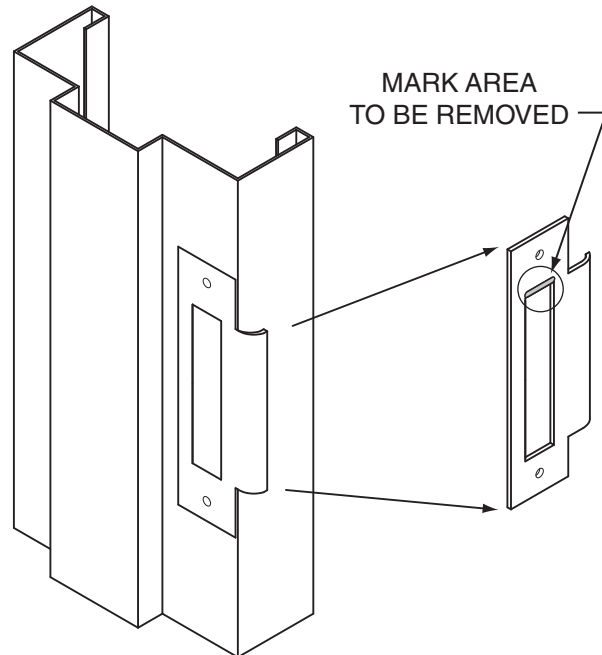


The previously mentioned items should be checked and any problems corrected. If the latch continues to tightly engage the strike, additional clearance can be created by filing the strike or bending the latch bolt lip as shown. However, this should only be done as a final option.

LOCKSET OFF LOCATION ON DOOR OR STRIKE OFF LOCATION IN FRAME IN WALL

Minor location adjustments usually can be accomplished by altering the strike plate. The strike plate alteration would “extend” the opening to allow the latch tube to properly engage the strike. This is similar to the section “Lock Fits Too Tight in Strike” except that the amount of material removed from the strike is greater. This could compensate for minor mislocation of the strike plate on the frame and/or location of the lockset on the door. These general steps should be followed for modifying the strike plate.

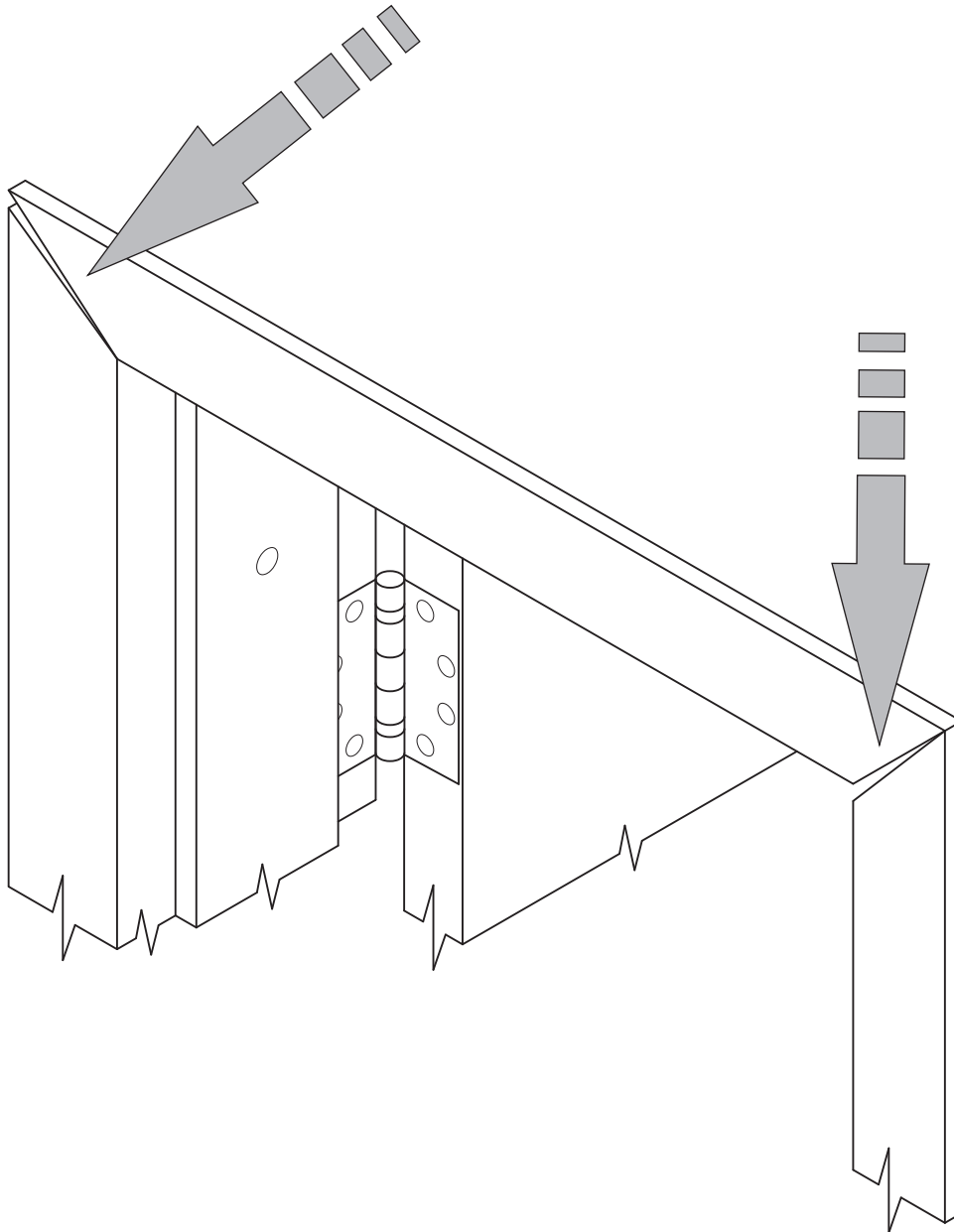
- Mark the area on the strike plate which must be removed.
- Remove strike plate from frame.
- Center punch corners of area to be removed and drill a $\frac{1}{8}$ " diameter hole in each corner.
- Use a saber saw and cut from the existing opening up to the $\frac{1}{8}$ " diameter holes. The remaining material between the two $\frac{1}{8}$ " holes should be filed away.
- Dress off all rough edges and corners with a file. This must be done since any irregular edges or edges with burrs could cause the latch tube to “drag” or “hang up” in the strike plate.
- Reassemble strike plate to frame and check alignment with lockset on door as well as latch tube function in and out of strike plate.



MITER NOT CLOSED ON FRAME

The major cause of miters not properly lining up and “closing” is incorrect installation. The effects of improper installation on miter seams are covered under the previous section of “Frame Set Out of Square.” This section should be referenced for detailed explanations of conditions which could occur, and solutions for correcting the problems.

This condition could also be caused by conditions as explained in the “Frame Loose on Drywall” section—figures on page 28.



CLEARANCE AT BOTTOM OF DOOR TOO SMALL

The available options for correcting this problem are limited. Frames which are permanently anchored to the wall construction (such as masonry or steel stud) leave few alternatives. The only available “fix” is to trim the bottom of the door, if the door’s construction will permit trimming. As shown in the figure below, the nominal “sill clearance” should be $\frac{3}{4}$ of an inch. The sill clearance is the dimension from the bottom of the door to the bottom of the frame jambs, and $\frac{3}{4}$ ” is a standard industry dimension.

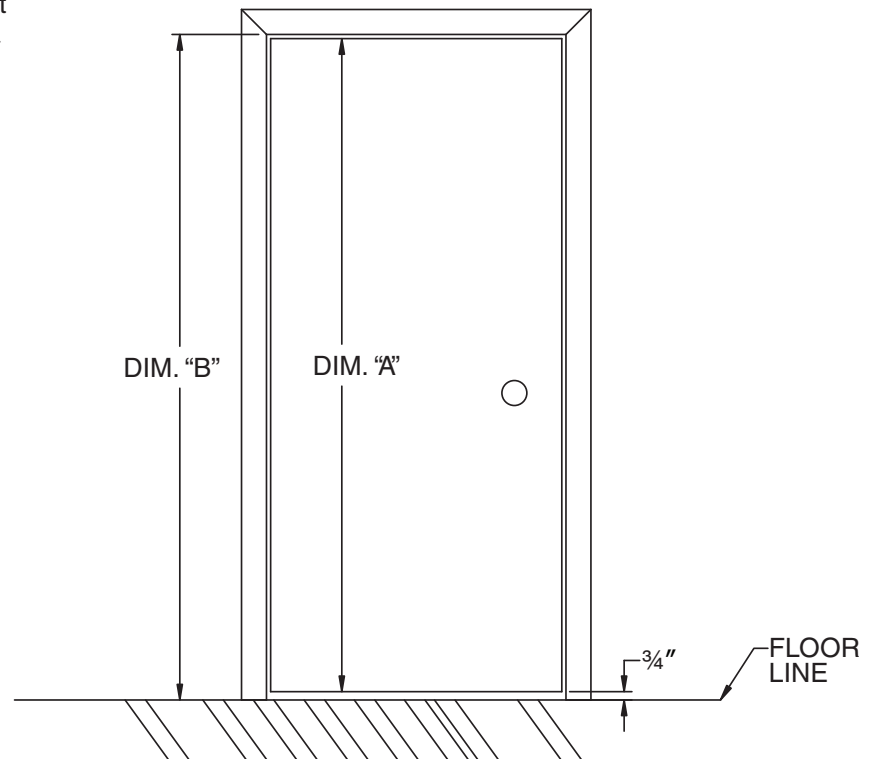
The frame jambs should be set at floor level which then results in $\frac{3}{4}$ of an inch between the bottom of the door and floor.

The $\frac{3}{4}$ ” also provides enough room to allow the installation of a “raised sill” which is a type of flat threshold. If a raised sill is used, the $\frac{3}{4}$ inch clearance is decreased.

Before any alterations are made the door height dimensions should be checked.

The door height is determined by taking a measurement represented by dimension “A” in the figure. If the door height is “oversize” the clearance at the bottom will be too small.

The frame jamb height (which is the same as the opening height) is determined by taking a measurement represented by dimension “B”. If the jamb height is “undersize,” the clearance at the bottom will be too small.



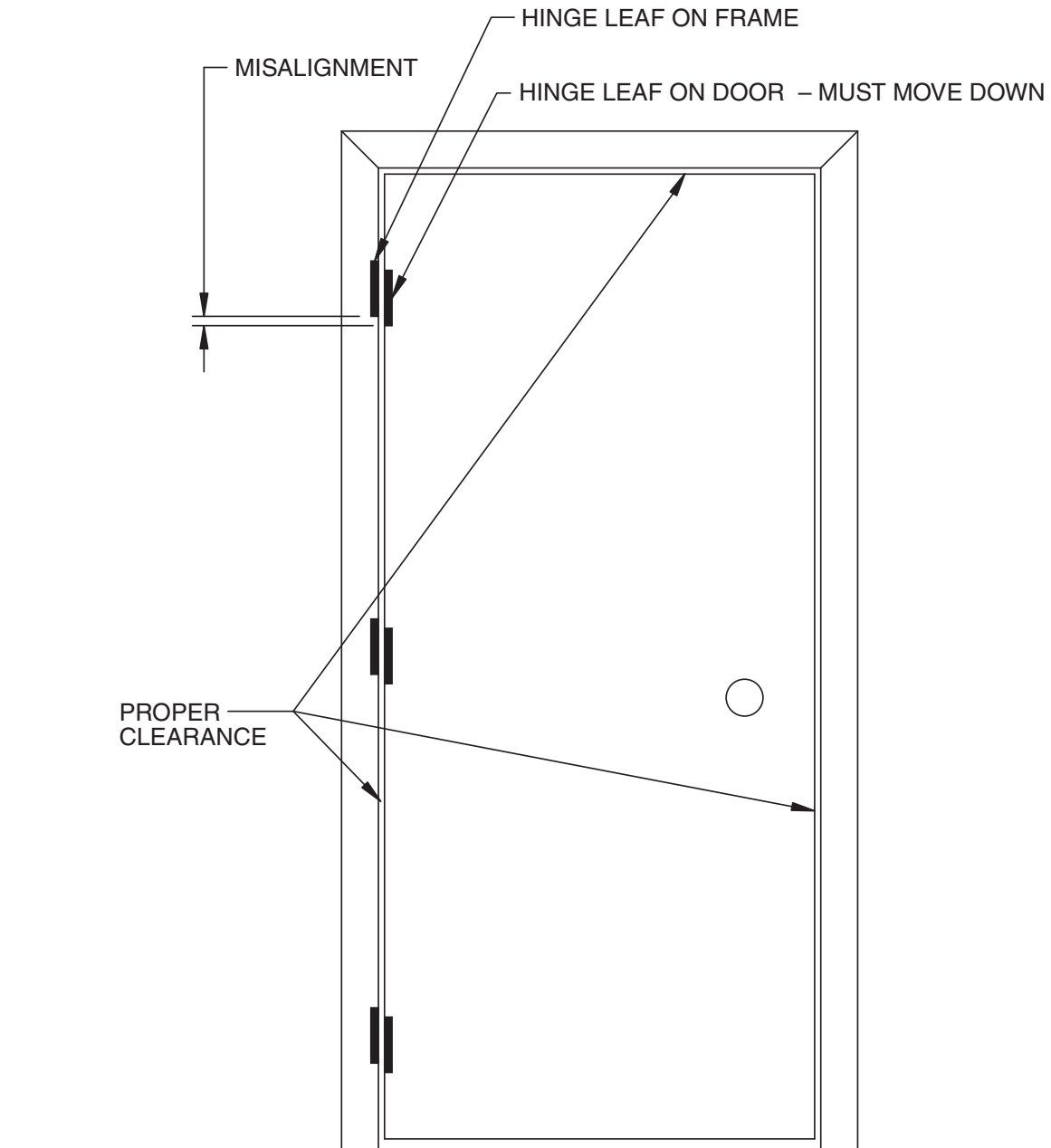
The bottom of the frame jambs should be set “on” the floor not “in” the floor. In some special cases the jambs can be set “in” the floor but this requires special design consideration and adjustments in door height and jamb heights. If this was not compensated for in the designed heights, the clearance at the bottom could be too small.

By taking these basic dimensions, you can confirm what element of the opening is in error. If trimming the bottom of the door is considered, you must make sure that the door’s design will allow such a modification to be made. It is best to contact the distributor or the manufacturer to determine if and how much the door can be trimmed. These types of trimming modifications can be relatively simple or more extensive depending on door design.

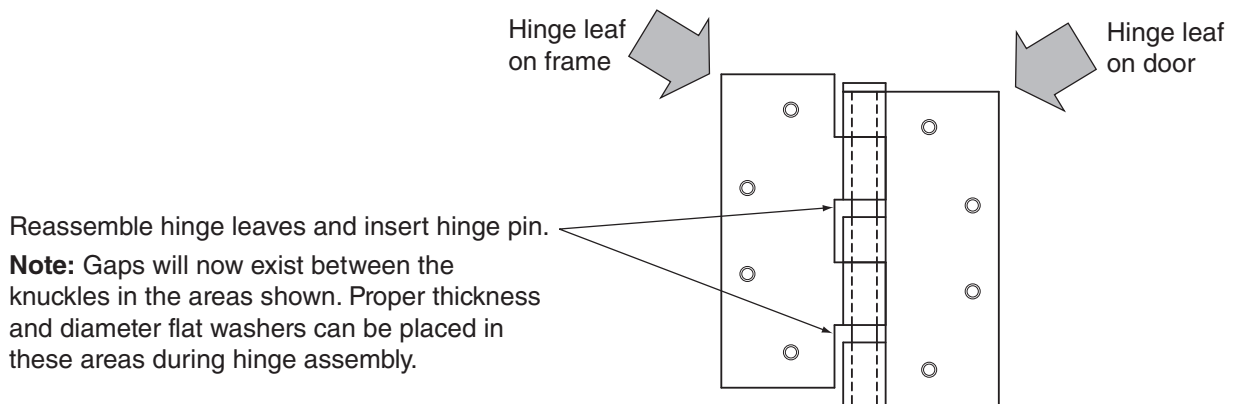
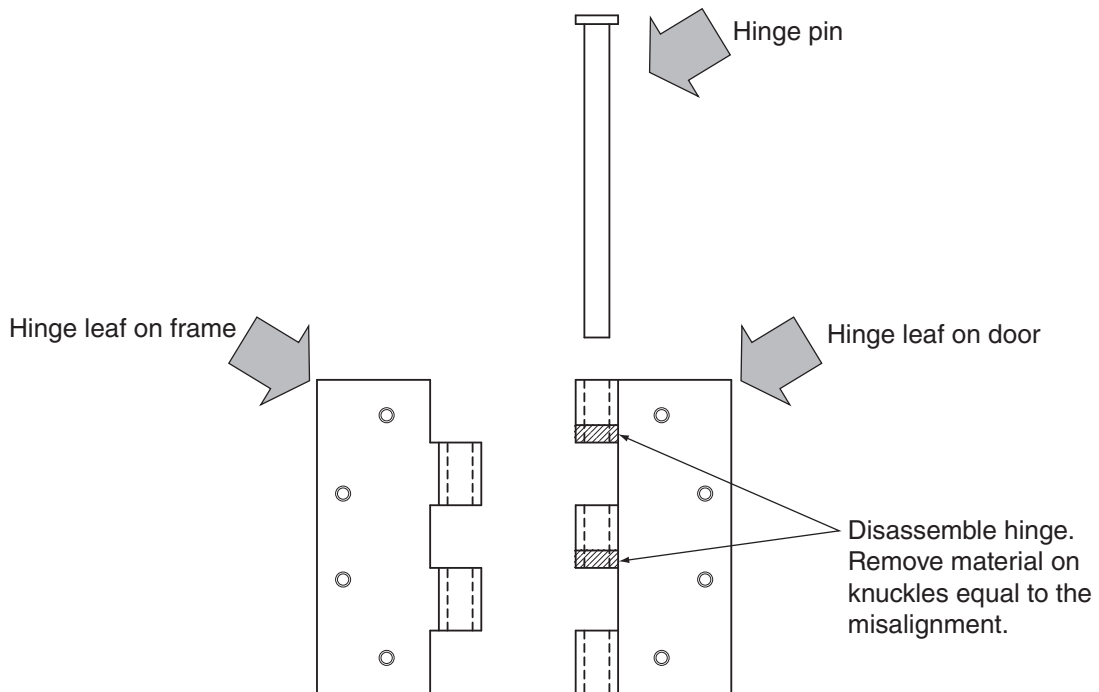
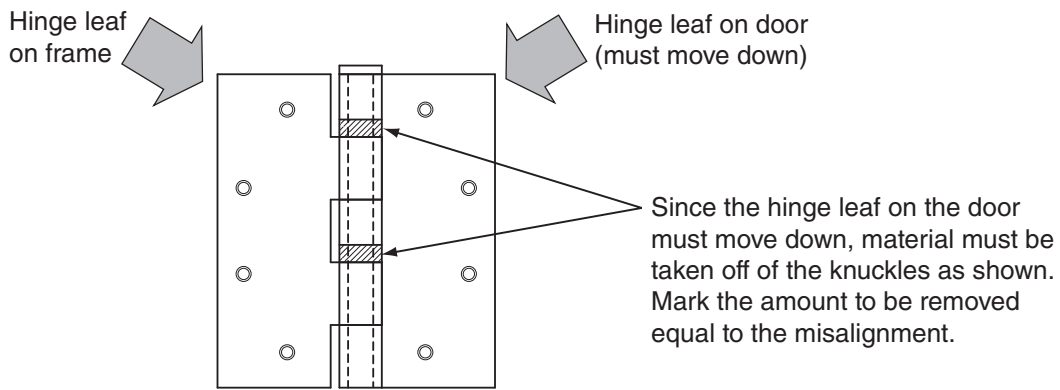
FRAME AND DOOR HINGE MISALIGNMENT

Frame and door hinge misalignment can cause a variety of problems. When misalignment occurs, either the door's hinge locations or frame's hinge locations are slightly off. This can apply to retrofitting existing openings where either the door or frame is being replaced, but not both. When new doors and frames are provided from a single manufacturer, this problem does not exist.

The example shown on the following page reflects the dropping of the hinge leaf which attaches to the door from its relationship to the hinge leaf on the frame. However, by removing material from the opposite end of the knuckles, the door hinge leaf could be raised as well. The frame hinge leaf can also be relocated in similar fashion.



FRAME AND DOOR HINGE MISALIGNMENT *(continued)*



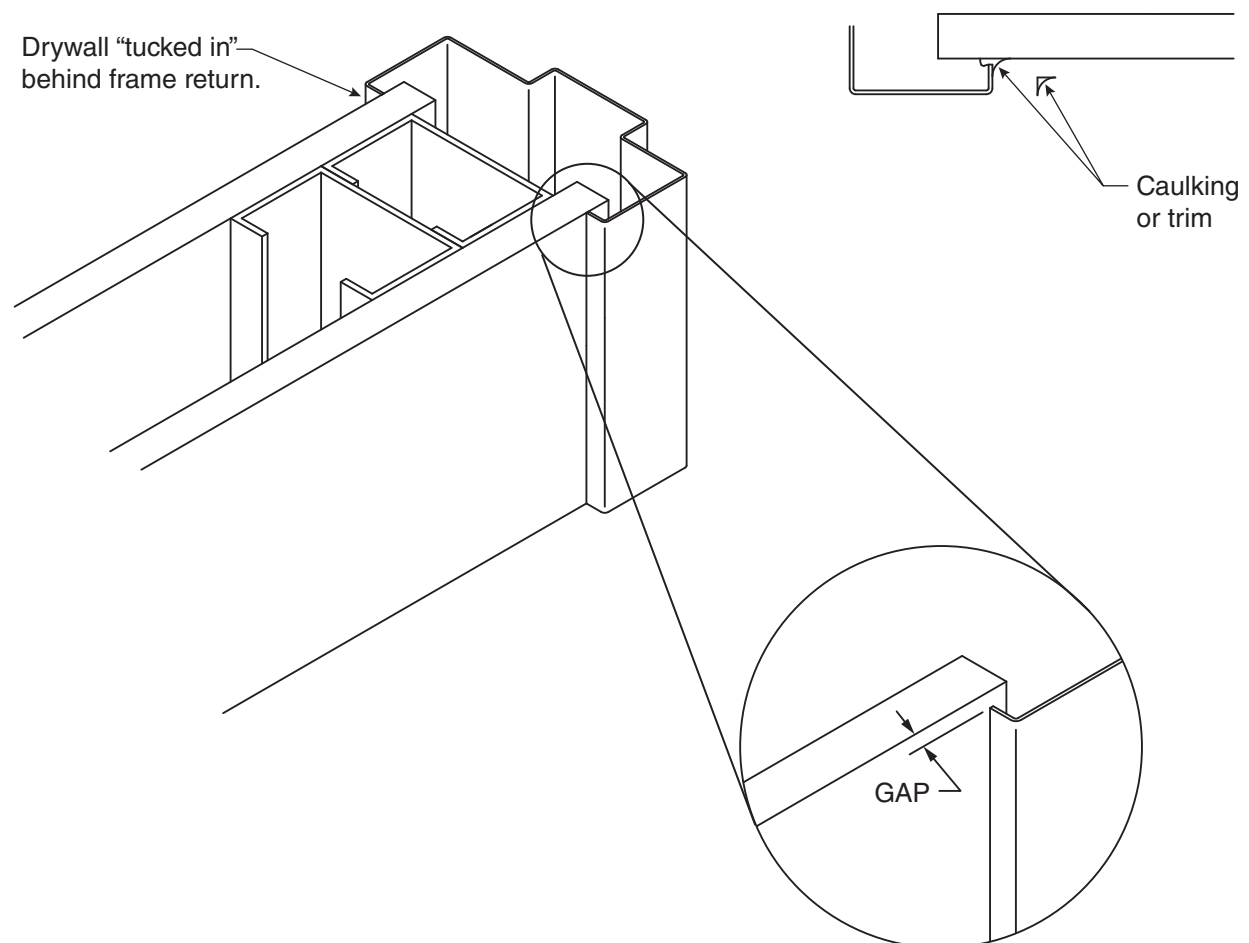
FRAME LOOSE ON DRYWALL

Frame manufacturers closely control the dimensions to which their frames are manufactured. Since automated equipment is used these dimensions are easily repeated from piece to piece. The majority of cases where frames are loose on drywall will reveal that the overall wall thickness has not been properly maintained. Wall thickness conditions can vary from undersize to oversize. The thickness should be checked, if possible, to verify the wall's compliance with the job specification.

Frames installed in drywall walls can use two different anchoring methods:

WELDED/SNAP-IN STEEL, OR WOOD STUD ANCHORS

Some frames use welded or snapped-in steel or wood stud anchors. These frames are installed prior to the drywall material being attached to the studs. The drywall can either be "butted-up" against the return of the frame or be "tucked in" behind the return of the frame. Only in the installation where the drywall is "tucked in" behind the return can there be a condition where the frame is loose on the drywall. This gap could be uniform along the entire length (height) of the jamb or could be only in certain areas. Since the frame cannot be removed, the only available options are to caulk the gap or cover it with trim.

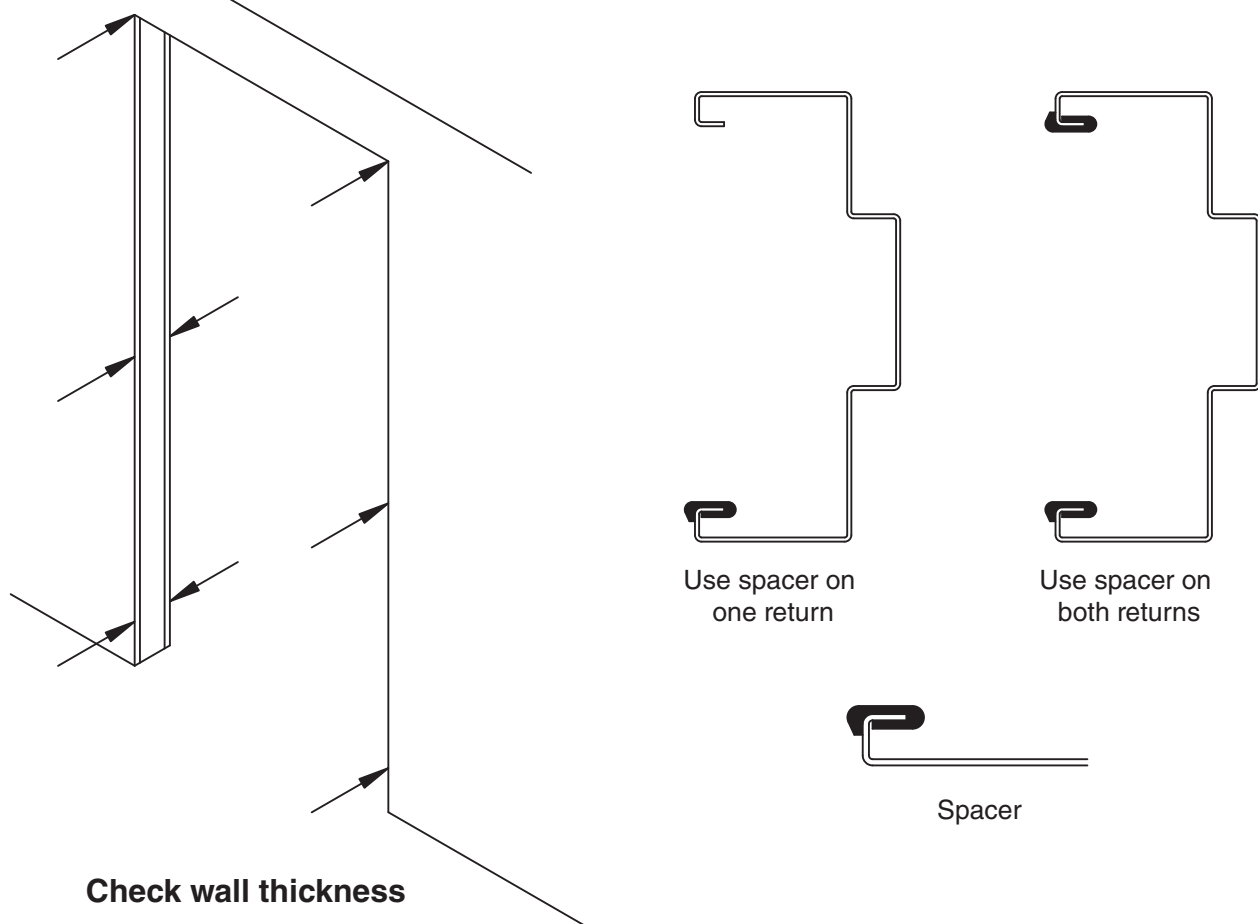


FRAME LOOSE ON DRYWALL *(continued)***DRYWALL FRAMES WITH COMPRESSION ANCHORS**

These frames are intended to be installed after the wall construction is complete. The anchoring methods that this type of frame uses allows the removal of the frame if so desired. The manufacturers' installation instructions should be followed anytime the frame is removed and reinstalled. Three conditions could exist for drywall slip-on frames which are "loose on the wall."

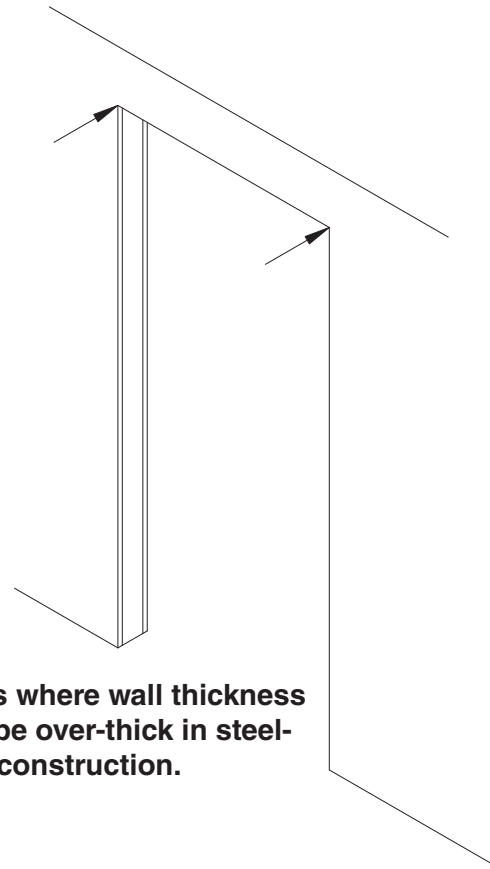
- 1) The first condition is a uniform gap along the entire length (height) of the frame jambs. The frame should be removed from the opening and the wall thickness checked at numerous places around the opening. These measurements should be compared to the job specifications. If the wall thickness is undersize, two options are available.
 - a) If the gap is relatively small, the use of caulking or trim can be considered to cover the gap when the frame is installed.
 - b) If the gap is larger, the use of "spacers" can offset the lacking wall thickness. The use of spacers requires that the frame be removed from the opening, the spacer(s) attached, and the frame reinstalled. The spacers can be used on either one or both of the frame returns which would result in spacers on either one side or both sides of the wall. Spacers are available from the frame manufacturer.

SPACERS ARE NOT TO BE USED ON LABELED FIRE DOOR FRAMES.

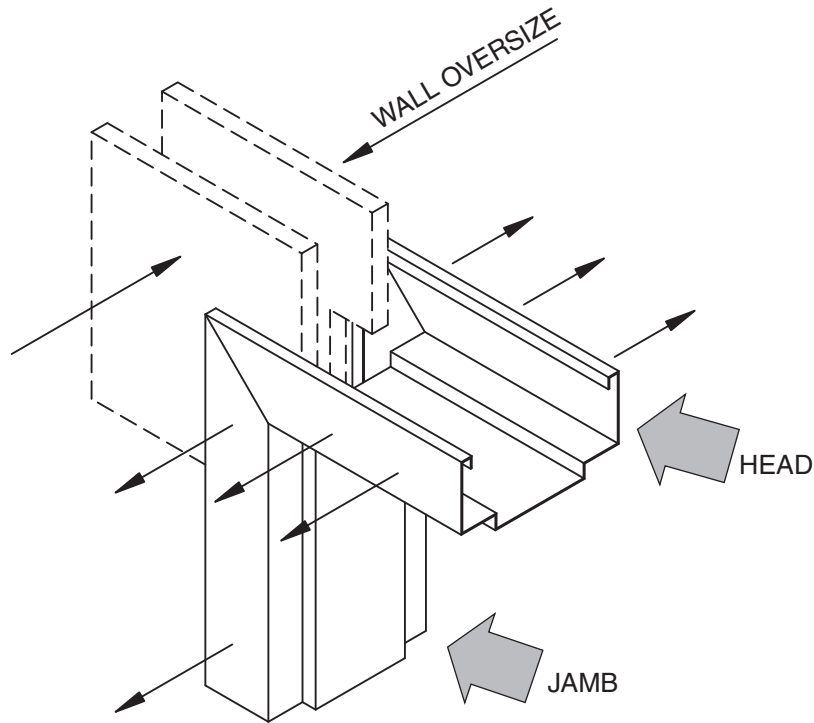


FRAME LOOSE ON DRYWALL *(continued)*

2) The second condition would be a gap that changes along the length (height) of the jamb. This condition is generally found in steel stud construction and results in “over thick” walls in the upper corners of the opening, refer to Figure 5. This is usually a direct result of how the steel stud headers were attached to the vertical steel studs to form the opening. When the wall is oversize (in this area) it will force the header and jamb miters to spread apart and actually open up the throat dimensions to accept the oversize wall. This will cause the corners of the frame to be extremely tight on the wall and as you progress down the jamb, a gap will begin to develop and then gradually disappear closer to the floor, see figure on following page.



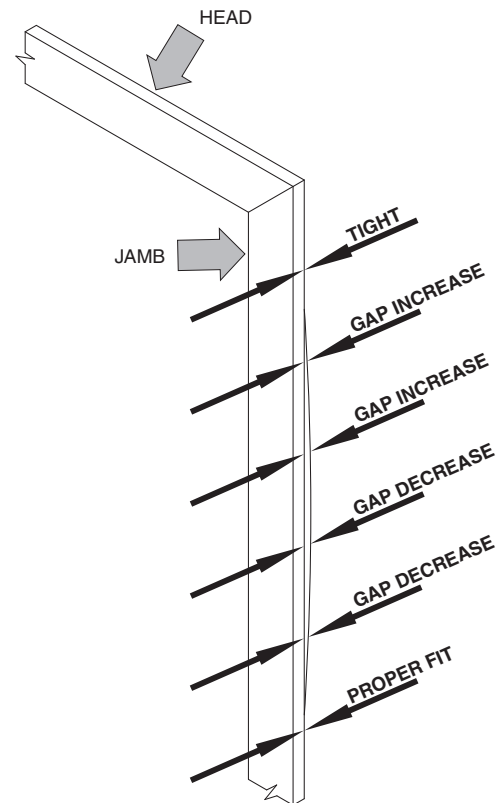
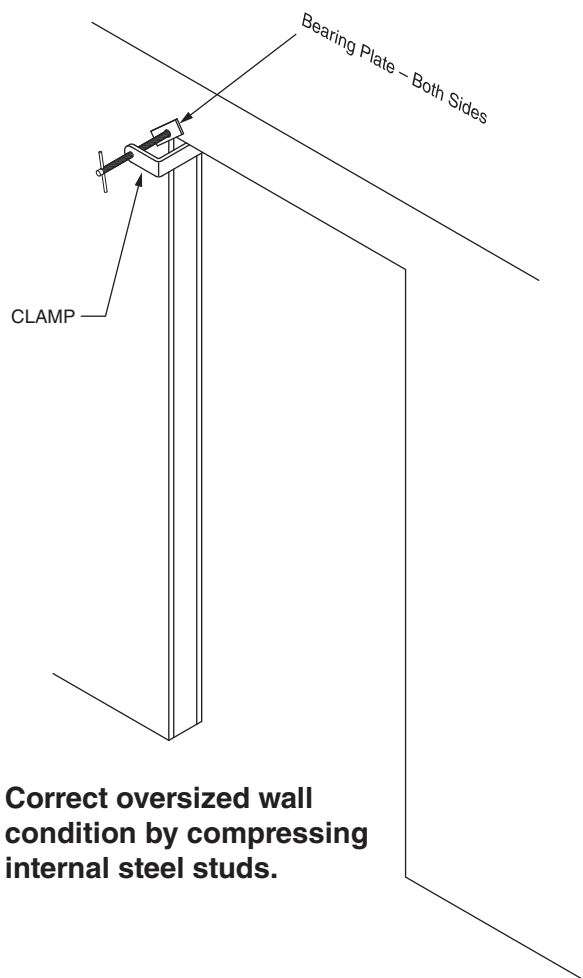
Areas where wall thickness may be over-thick in steel-stud construction.



Frame spreads apart with oversize wall.

FRAME LOOSE ON DRYWALL *(continued)*

This condition should be reported to the appropriate jobsite personnel. The condition can be corrected by putting a bearing plate on each side of the corner and compressing the internal steel studs with a clamp. However, the responsibility for correcting this condition belongs to the sub-contractor responsible for the actual wall construction.



- 3) The third condition is different from the first two which address the “fit” of the frame over the wall thickness. The cause of this condition is compression anchors which have not been tightened. The drywall frame would then be loose across the width of the opening and move from side to side against the rough opening.

The frame should be plumbed, squared and secured in the opening by properly adjusting the compression anchors following the manufacturers’ instructions.

GLAZED WINDOW UNITS

Hollow metal borrowed light, transom, and combination sidelight frames are an excellent choice for exterior openings due to their design flexibility, thermal performance, and security. These types of frames are not factory sealed to prevent water infiltration; the contractor/installer must seal all joints that are exposed to the elements after the frame assembly is installed.

Whenever possible it is strongly recommended that the glass and glazing be installed on the exterior rabbet of the frame. This will act as a deterrent to water penetration.

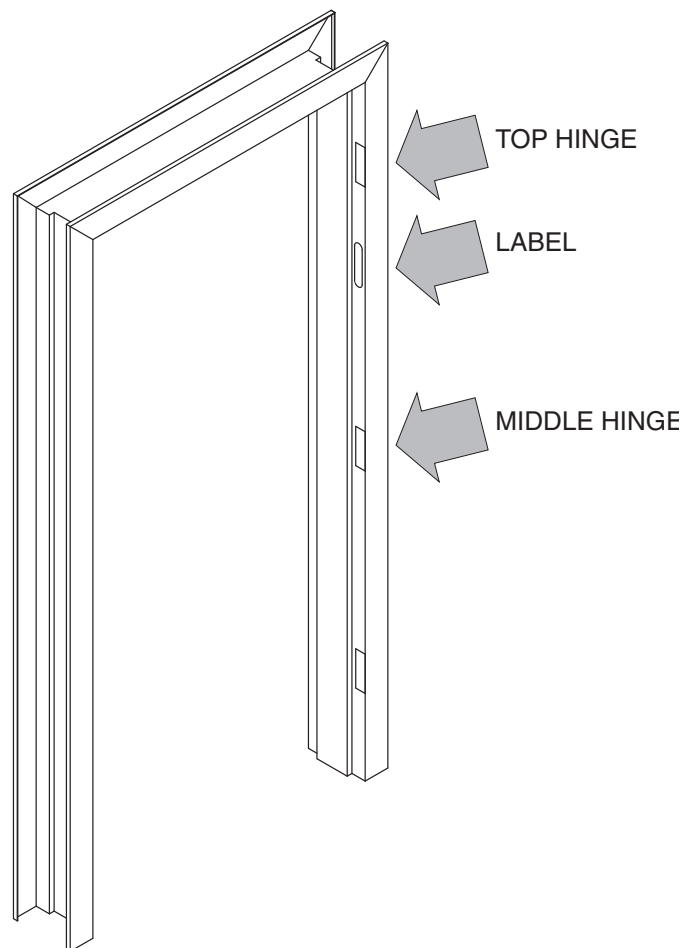
Manufacturers cannot control the workmanship associated with the installation of these types of frames, therefore, this work must be specified in the installation/glazing/caulking section of specifications.

LABEL MISSING FROM FIRE-RATED FRAME

Like doors, fire-rated frames are an important element of compliance with building codes and fire protection standards. Consequently, proper control of the labels which are attached to the frame is top priority for the manufacturer, code official and labeling agency. Once the product is in the field, whether it is installed or not, no one, including the manufacturer is permitted to attach labels unless a representative of the manufacturer's labeling agency has inspected the product for compliance with the manufacturer's procedures. Only authorized individuals can be in possession of and attach labels to fire rated products in the field.

All labels on fire rated frames are located on the hinge jamb between the top and middle hinge (see figure below). It should be noted that some frames have an embossed label, rather than a surface-attached label. The embossed label is stamped into the frame rabbet and can be painted over.

If the label or embossment is not present, the frame distributor should be contacted.



Special Notes:

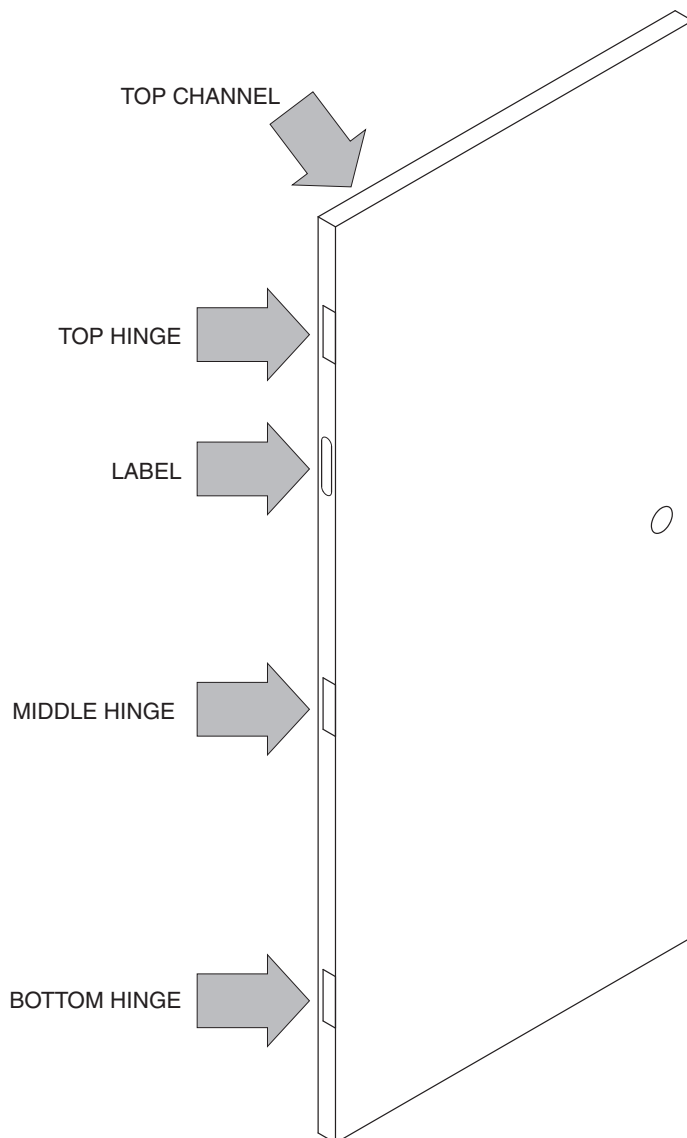
- Borrowed light frames may have labels applied to soffit of frame due to glass and glazing bead location.
- Frames incorporating continuous hinges may have labels applied to soffit or frame head.
- See manufacturer's procedures.

LABEL MISSING FROM FIRE-RATED DOOR

Fire-rated doors are an important element of compliance with building codes and fire protection standards. Consequently, proper control of the labels is top priority for the manufacturer, code official and labeling agency. (The manufacturer must account for every label used and the label can only be applied at the manufacturer's facility or at an authorized labeling distributor of the manufacturer.) Once the product is in the field, whether it's installed or not, no one, including the manufacturer is permitted to attach labels unless a representative of the manufacturer's labeling agency has inspected the product for compliance with the manufacturer's labeling procedures. Only authorized individuals may be in possession of and attach labels to fire rated products in the field.

Labels on fire-rated doors are located in one of two places, either between the top and middle hinge, or on the top channel (see figure). Be sure you are looking for the label in the correct location.

If the label is not present, the door distributor should be contacted.



Special Notes:

- Labeled doors incorporating continuous hinges may have labels placed on the top channel of the door. Check with the individual manufacturer to determine location of label.
- Labeled hollow metal transom panels may need to be removed to verify labeling if fully enclosed by a fixed hollow metal frame.
- See manufacturer's procedures.

PAINT PROBLEMS

PAINT PEELING TO BARE METAL

Two conditions exist that must be considered when evaluating paint peeling to bare metal.

1. Prime Paint Only

If the product is only prime painted, and peeling has occurred, then poor adhesion between the primer and bare metal has occurred. This can usually be attributed to inadequate surface preparation before prime painting. The bare metal must be adequately prepared to ensure good prime paint adhesion.

The door should be completely sanded, washed with solvent and re-primed. The sanding and washing operations provide an adequate surface to assure good primer adhesion.

2. Prime Paint and Top (Finish) Coat

The failure could be caused by either poor surface preparation before prime painting or the use of a non-compatible finish paint that has reacted with the primer and lifted all paint from bare metal. In either case the corrective measure would be the same. The door should be completely sanded and washed with an appropriate solvent. The door should then be re-primed. Lightly sand the prime coat, wipe and finish-paint with a compatible top coat.

Whenever the door is being prepared for top or finish-coat painting the surface should be cleaned. Use the same solvent that will be used to thin the topcoat paint and thoroughly clean all surfaces to be painted.

PAINT IN TAPPED HOLES

Both hollow metal doors and frames have various holes that are drilled and tapped. These holes are in various components such as reinforcements. All of the components are brought together as an assembly prior to the painting operation.

There are a variety of painting methods manufacturers can use. Some of these methods can result in paint build-up in the tapped holes of the reinforcements. This build-up can make installation of screws difficult. The build-up should be removed to make screw installation easier and assure that the screws are properly seated.

The best method of cleaning the tapped holes is to use an actual thread tap which matches the screw thread. The tap will easily cut through and clean paint build-up and by running it in and out of the hole. If the build-up is not as great and extra screws are available (or can be obtained) a screw can be run in and out of the hole to clean minor build-up prior to final screw installation.

WATER STAIN DAMAGE

Water stain damage is a direct result of improper storage. If the product is still in prime paint (no finish coat has been applied) the condition is easily detectable as follows:

- Initially, the water stain appears as a discoloration or variance in sheen or gloss in the primer. Damaged areas will look and possibly feel different from the rest of the product.
- If the water stain has existed for a considerable length of time and was caused by large amounts of water, rust will start to appear through the discolored areas.

If the product has had a finish coat of paint applied, water stain damage can cause failure of the finish coat as well:

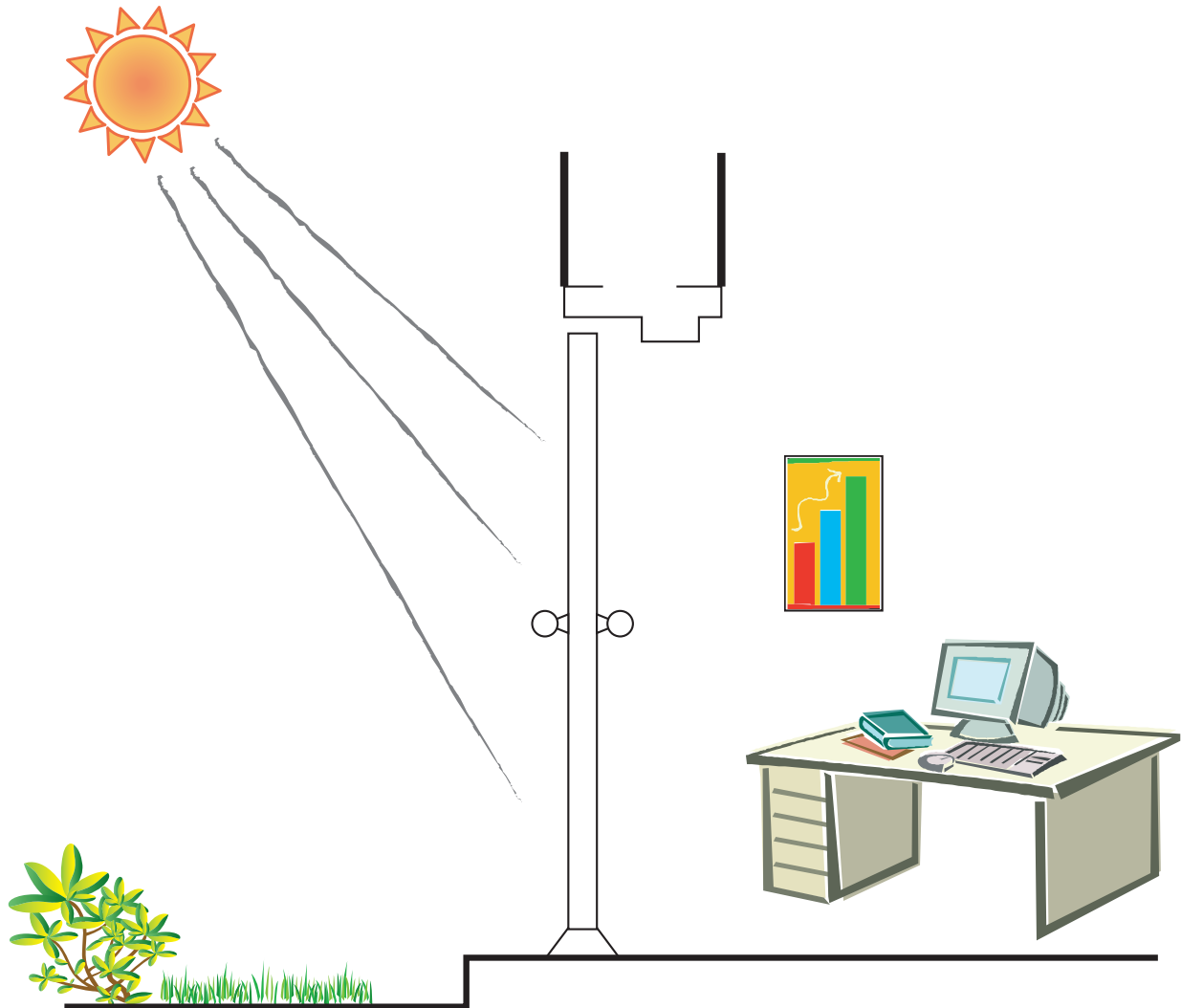
- Water stain damage can be detected by random areas of finish paint failure on the door as well as the appearance of uniform rust development on those areas. In some cases the finish paint will show good adhesion in water damaged areas but will also show a uniform layer of rust developing through the finish paint.

To correct water stain damage, use the following guidelines:

- For products that are prime painted only, the affected areas should be adequately sanded. If necessary, the area should be sanded to bare metal. The entire door/frame surface should then be lightly sanded and “feathered” into any heavily sanded areas. The entire surface should then be re-prime painted.
- For products that are finish painted, the affected areas should be adequately sanded. If necessary the area should be sanded to bare metal. The entire remaining finish-painted area should then be lightly sanded and “feathered” into any heavily sanded areas. If bare metal is showing, these areas should be re-prime painted and lightly sanded to “feather” into the lightly sanded finish-painted areas. The product should then be re-finish painted.
- When the door is being prepared for top or finish coat painting, the surface should first be cleaned. Use the same solvent that will be used to thin the topcoat paint and thoroughly clean all surfaces to be painted.

THERMAL BOW

Installers need to be aware of a condition known as Thermal Bow. Thermal Bow is a temporary condition which may occur in metal doors due to the inside-outside temperature differential. This is more common when the direct rays of the sun are on a door surface. This condition is temporary, and to a great extent depends on the door color, door construction, length of exposure, temperature, etc. This condition can often be alleviated by painting the exposed surface a light color. Thermal bow can occur in reverse under extremely cold conditions. Typical symptoms of thermal bow are hardware latching difficulty and door clearance issues.



AVAILABLE PUBLICATIONS

Specifications

- ANSI/SDI A250.6** Recommended Practice for Hardware Reinforcings on Standard Steel Doors and Frames
- ANSI/SDI A250.8** SDI 100 Specifications for Standard Steel Doors & Frames
- SDI-108** Recommended Selection & Usage Guide for Standard Steel Doors
- SDI-118** Basic Fire Door, Fire Door Frame, Transom/Sidelight Frame, and Window Frame Requirements
- SDI-128** Guidelines for Acoustical Performance of Standard Steel Doors & Frames
- SDI-129** Hinge & Strike Spacing

Test Procedures

- ANSI/SDI A250.3** Test Procedure & Acceptance Criteria for Factory Applied Finish Coatings for Steel Doors & Frames
- ANSI/SDI A250.4** Test Procedure & Acceptance Criteria for Physical Endurance for Steel Doors, Frames and Frame Anchors
- ANSI/SDI A250.10** Test Procedure & Acceptance Criteria for Prime Painted Steel Surfaces for Steel Doors & Frames
- ANSI/SDI A250.13** Testing and Rating of Severe Windstorm Resistant Components for Swinging Door Assemblies for Protection of Building Envelopes (Not applicable for FEMA 320/361 or ICC-500 Shelters)
- SDI-113** Standard Practice for Determining the Steady State Thermal Transmittance of Steel Door & Frame Assemblies
- SDI-131** Accelerated Physical Endurance Test Procedure for Steel Doors, Frames and Frame Anchors

Construction Details

- ANSI/SDI A250.11** Recommended Erection Instructions for Steel Frames
- SDI-110** Standard Steel Doors & Frames for Modular Masonry Construction
- SDI-111** Recommended Details for Standard Details Steel Doors, Frames, Accessories and Related Components
- SDI-122** Installation Troubleshooting Guide for Standard Steel Doors & Frames

Miscellaneous Documents

- SDI-112** Zinc-Coated (Galvanized/Galvannealed) Standard Steel Doors & Frames
- SDI-117** Manufacturing Tolerances for Standard Steel Doors & Frames
- SDI-124** Maintenance of Standard Steel Doors & Frames
- SDI-127** Industry Alert Series (A-L)
- SDI-130** Electrified Hinge Preparations
- SDI-134** Nomenclature for Standard Steel Doors & Steel Frames

AUDIO-VISUAL PROGRAMS ALSO AVAILABLE

MEMBERS OF THE STEEL DOOR INSTITUTE

CECO

AN ASSA ABLOY DOOR GROUP COMPANY
9159 Telecom Drive
Milan, TN 38358-3425
(731) 686-8345
www.cecodoor.com

CURRIES

AN ASSA ABLOY DOOR GROUP COMPANY
1502 12th Street
P.O. Box 1648
Mason City, IA 50402-1648
(641) 423-1334
www.curries.com

DEANSTEEL MANUFACTURING CO.

931 S. Flores Street
San Antonio, TX 78204-1406
(210) 226-8271
www.deansteel.com

DOOR COMPONENTS INC.

7980 Redwood Avenue
Fontana, CA 92336-1638
(909) 770-5700
www.doorcomponents.com

HOLLOW METAL XPRESS

602 S. 65th Avenue
Phoenix, AZ 85043
(623) 936-7000
www.HMXpress.com

MESKER DOOR, LLC

3440 Stanwood Boulevard
Huntsville, AL 35811-9021
(256) 851-6670
www.meskerdoor.com

MPI

319 North Hills Road
Corbin, KY 40701
(606) 523-0173
www.metalproductsinc.com

PIONEER INDUSTRIES, INC.

111 Kero Road
Carlstadt, NJ 07072
(201) 933-1900
www.pioneerindustries.com

REPUBLIC DOORS & FRAMES

155 Republic Drive
McKenzie, TN 38201-0580
(731) 352-3383
www.republicdoor.com

SMP

AN ASSA ABLOY DOOR GROUP COMPANY
6089 Bristol Parkway, Suite 200
Culver City, CA 90230
(310) 641-6690
www.secmnet.com

STEELCRAFT

9017 Blue Ash Road
Cincinnati, OH 45242
(513) 745-6400
www.steelcraft.com



Standards As Tough As Steel.™

STEEL DOOR INSTITUTE

30200 DETROIT ROAD • CLEVELAND, OHIO 44145

440.899.0010 • FAX 440.892.1404

www.steeldoor.org