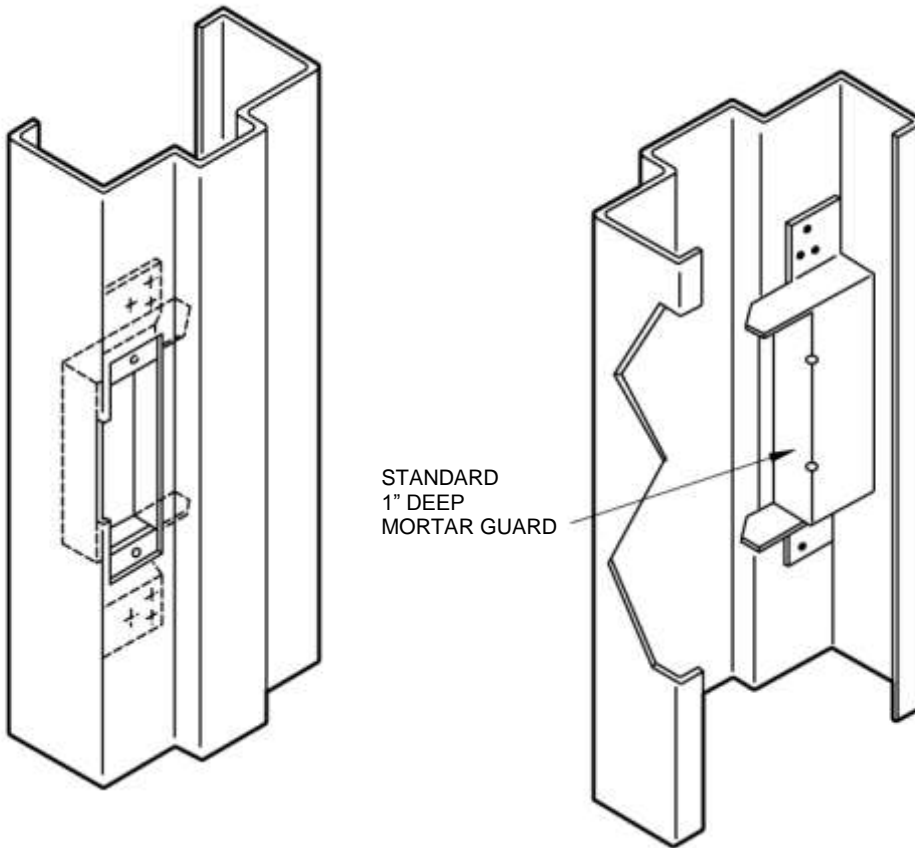


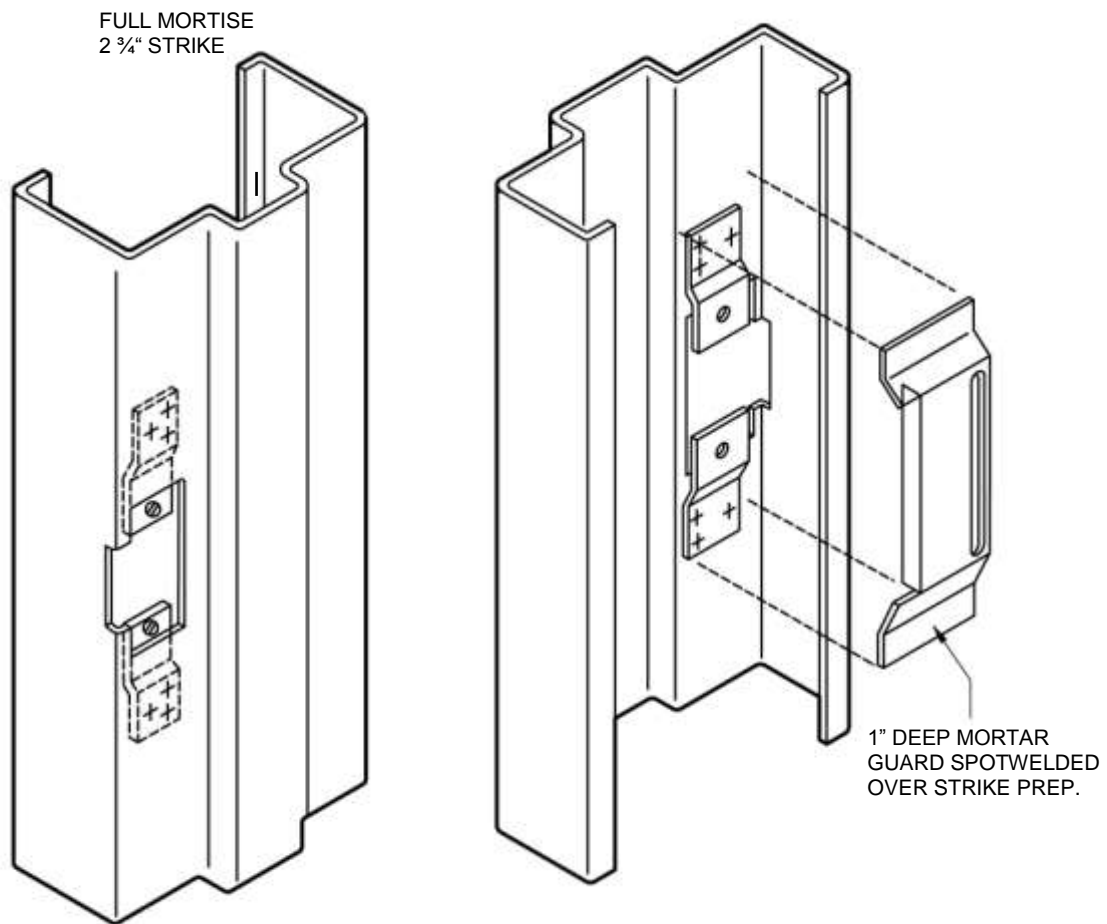
ENGINEERING DETAILS for
STRIKE Preparations
with Mortar Guard or Dust Cover

UNIVERSAL STRIKE PREPARATION
ANSI/BHAMA 156.115



TECHNICAL DATA – FRAMES STRIKES

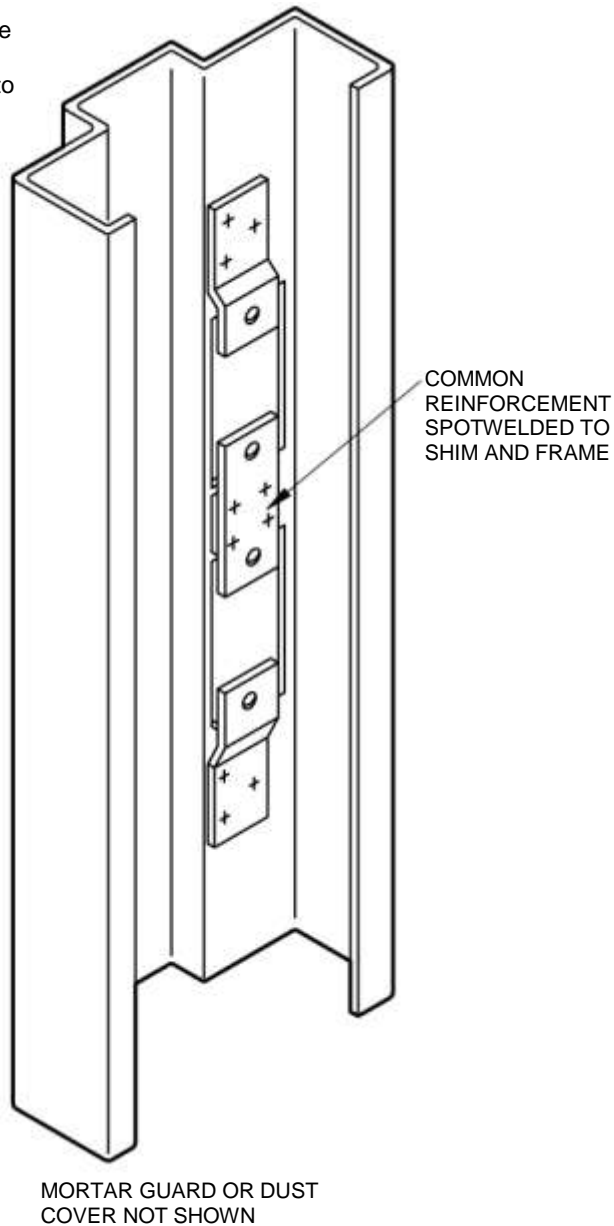
ENGINEERING DETAILS for
STRIKE Preparations
with Mortar Guard or Dust Cover



TECHNICAL DATA – FRAMES STRIKES

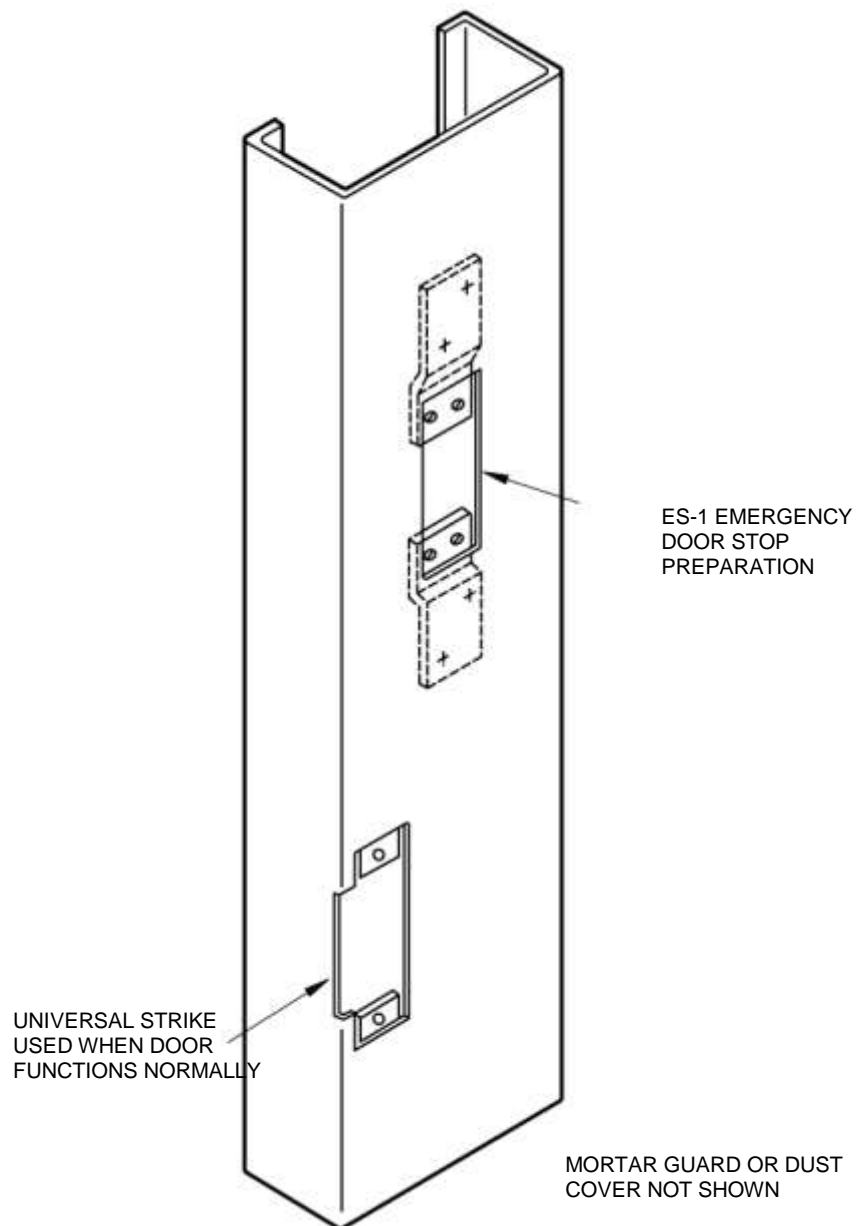
ENGINEERING DETAILS for **DOUBLE STRIKE Preparation** with Common Intermediate Reinforcement

Typical Illustration indicates use when two strike preparations are in such close proximity as to preclude use of two individual sets of reinforcements.



TECHNICAL DATA – FRAMES STRIKES

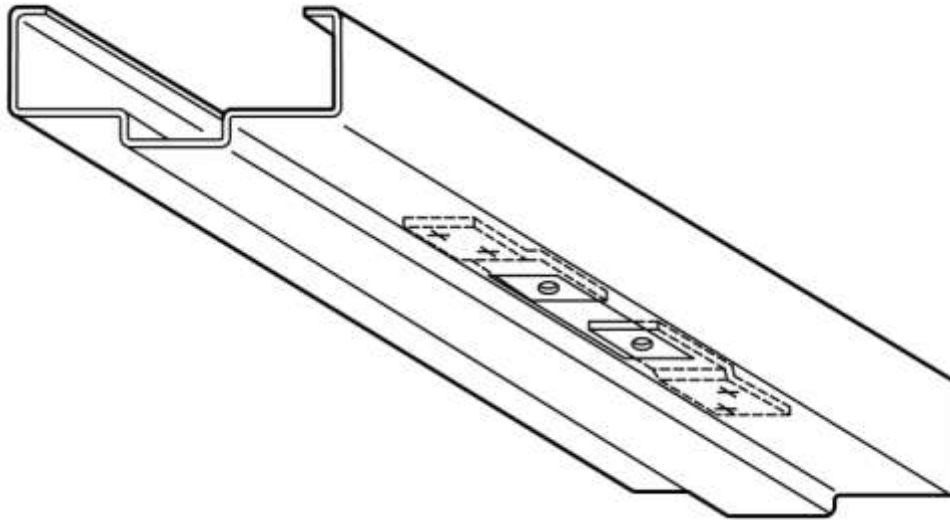
ENGINEERING DETAILS for EMERGENCY DOOR STOP Preparation



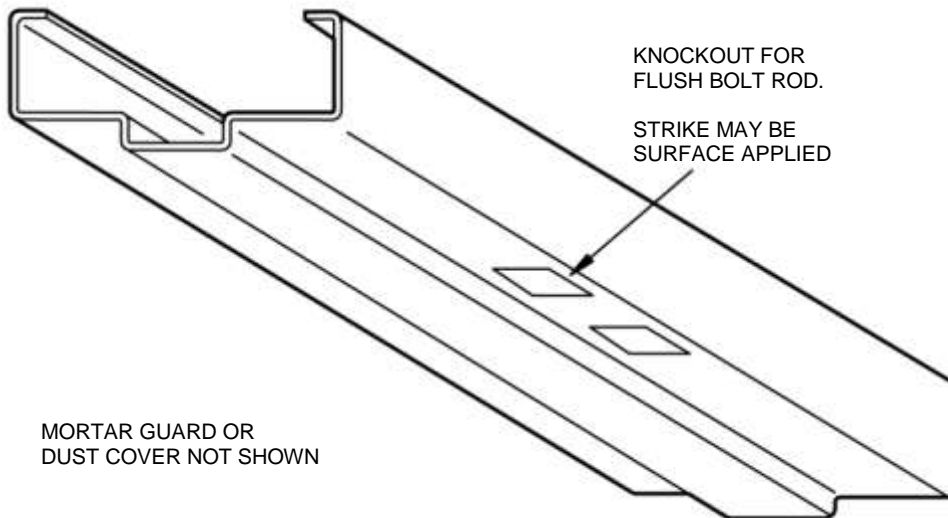
TECHNICAL DATA – FRAMES STRIKES

ENGINEERING DETAILS for FLUSH EXTENSION BOLT STRIKE Preparations

MORTISE FLUSH EXTENSION BOLT
STRIKE PREPARATION



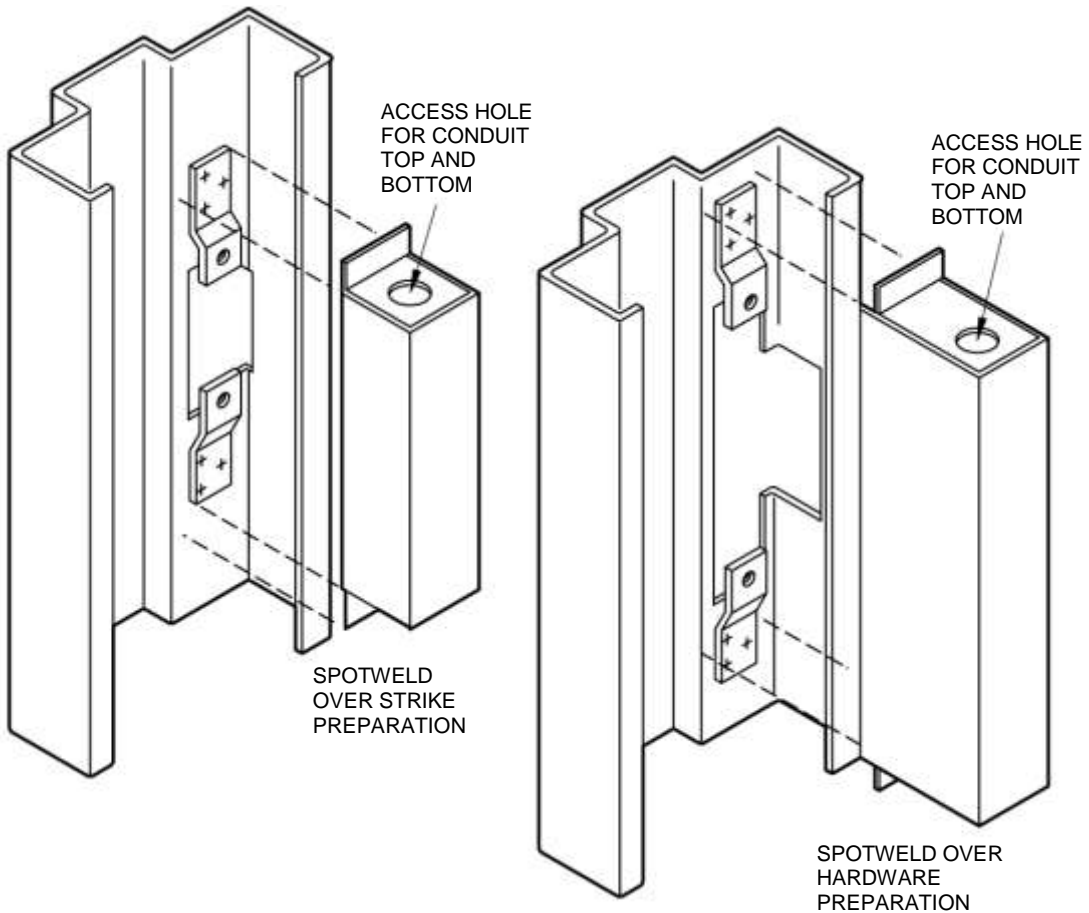
UNIVERSAL
FLUSH EXTENSION BOLT
STRIKE KNOCKOUT
#16 GAUGE FRAMES ONLY



MORTAR GUARD OR
DUST COVER NOT SHOWN

TECHNICAL DATA – FRAMES STRIKES

ENGINEERING DETAILS for
ELECTRIC STRIKE Preparations
with Special Mortar Guards



TECHNICAL DATA – FRAMES STRIKES

ENGINEERING DETAILS for
SPECIAL MORTAR GUARD
for Electric Hinge Preparation

